

The standards stay same, but innovation never ends...



BTS ALUMINIUM

BTS
RAILING Systems



V6.0

Aluminium Railing Systems
Systemy aluminiowych balustrad



ISTITUTO GIORDANO

TEST REPORT No. 294030

Place and date of issue: Bellaria-Igea Marina - Italia, 27/04/2012

Customer: BTS ALUMINIUM METAL VE PVC SAN. ve TIC.LTD.ŞTİ
Mermerçiler San. Sít. 7.Cad. No:6 - BEYLİKDÖZÜ / İSTANBUL - Türkiye

Date testing requested: 02/05/2012

Order number and date: 56214, 02/05/2012

Date sample received: 30/03/2012

Date of testing: 17/04/2012

Purpose of test: Resistance to horizontal static loading of a railing in accordance with standard NF P01-013:1988 and resistance to dynamic impact in accordance with standard NF P08-301:1991 and standard UNI 10807:1999

Place of testing: Istituto Giordano S.p.A. - Via Erboosa, 72 - 47043 Gattico (FC) - Italia

Origin of sample: sampled and supplied by the Customer

Identification of sample received: No. 2012/0679

Name of sample:
The test sample is called "C50 - HANDRAIL SYSTEM MADE OF GLASS AND ALUMINIUM".

According to that stated by the Customer

This test report consists of 8 sheets

Resistenza statica

Al sistema di maniglia in alluminio e pannello in vetro C50, si è applicato un carico statico orizzontale di 1000 N.

Il sistema ha resistito senza danni.

Resistenza dinamica

Al sistema di maniglia in alluminio e pannello in vetro C50, si è applicato un impatto dinamico di 100 J.

Il sistema ha resistito senza danni.

Schema di montaggio

Resistenza statica

Al sistema di maniglia in alluminio e pannello in vetro C50, si è applicato un carico statico orizzontale di 1000 N.

Il sistema ha resistito senza danni.

Resistenza dinamica

Al sistema di maniglia in alluminio e pannello in vetro C50, si è applicato un impatto dinamico di 100 J.

Il sistema ha resistito senza danni.

Resistenza statica

Al sistema di maniglia in alluminio e pannello in vetro C50, si è applicato un carico statico orizzontale di 1000 N.

Il sistema ha resistito senza danni.

Resistenza dinamica

Al sistema di maniglia in alluminio e pannello in vetro C50, si è applicato un impatto dinamico di 100 J.

Il sistema ha resistito senza danni.

Resistenza statica

Al sistema di maniglia in alluminio e pannello in vetro C50, si è applicato un carico statico orizzontale di 1000 N.

Il sistema ha resistito senza danni.

Resistenza dinamica

Al sistema di maniglia in alluminio e pannello in vetro C50, si è applicato un impatto dinamico di 100 J.

Il sistema ha resistito senza danni.

Resistenza statica

Al sistema di maniglia in alluminio e pannello in vetro C50, si è applicato un carico statico orizzontale di 1000 N.

Il sistema ha resistito senza danni.

Resistenza dinamica

Al sistema di maniglia in alluminio e pannello in vetro C50, si è applicato un impatto dinamico di 100 J.

Il sistema ha resistito senza danni.

Resistenza statica

Al sistema di maniglia in alluminio e pannello in vetro C50, si è applicato un carico statico orizzontale di 1000 N.

Il sistema ha resistito senza danni.

Resistenza dinamica

Al sistema di maniglia in alluminio e pannello in vetro C50, si è applicato un impatto dinamico di 100 J.

Il sistema ha resistito senza danni.

Resistenza statica

Al sistema di maniglia in alluminio e pannello in vetro C50, si è applicato un carico statico orizzontale di 1000 N.

Il sistema ha resistito senza danni.

Resistenza dinamica

Al sistema di maniglia in alluminio e pannello in vetro C50, si è applicato un impatto dinamico di 100 J.

Il sistema ha resistito senza danni.

Resistenza statica

Al sistema di maniglia in alluminio e pannello in vetro C50, si è applicato un carico statico orizzontale di 1000 N.

Il sistema ha resistito senza danni.

Resistenza dinamica

Al sistema di maniglia in alluminio e pannello in vetro C50, si è applicato un impatto dinamico di 100 J.

Il sistema ha resistito senza danni.

INSPECCO

CERTIFICATE

This is to certify that the Quality Management System of

BTS ALUMINIUM METAL PVC AKSESUAR SAN. ve TIC. LTD. ŞTİ.

Hürriyet Mah. Dr.Cemil Bengü Cad.Yurt Sk.No:13 Kağıthane / İstanbul
Location:
Mermerçiler Sanayi Sitesi 7.Cad.No:6 Yakuplu Büyükdere / İstanbul

has been assessed and approved by Inspecco Certification and Inspection services Co. Ltd. against the following standards

EN ISO 9001:2008

The Quality Management System is applicable to:

Railing in Aluminium, Handles for Doors and Windows in Aluminium, Advertising Profiles and Panels in Aluminium, System for Showcases in Aluminium, Fittings in Aluminium to Design and Manufacture

Certificate No: INS.SB.100-003
Certificate is valid from: 08.12.2011 / 08.12.2012
Date and place of issue: 08.12.2011, İstanbul

TÜRKİYE

Genel Müdür

INSPECCO

SERTİFİKA

BTS ALUMINIYUM METAL PVC AKSESUAR SAN. ve TIC. LTD. ŞTİ.

Hürriyet Mah. Dr.Cemil Bengü Cad.Yurt Sk.No:13 Kağıthane / İstanbul
Üretim Yeri:
Mermerçiler Sanayi Sitesi 7.Cad.No:6 Yakuplu Büyükdere / İstanbul

İsmasının

EN ISO 9001:2008

Standartına göre Kalite Yönetim Sisteminin uygulanışı
Alüminyum Merdiven Kılıp ve Korkuluk, Alüminyum Kapı, Pencere ve Kol, Alüminyum Reklam Profil ve Pano, Alüminyum Raf ve Vitrin Sistemleri, Alüminyum Bağlantı Elemanları Tasarım ve İmalat

(İnceleme alanı: ...)

kapsamında, Inspecco Belgelendirme ve Gözetim Hizmetleri Ltd. Şti. tarafından değerlendirilmiş olup onaylanmaktadır.

Sertifika No: INS.SB.100-003
Geçerlilik süresi: 08.12.2011 / 08.12.2012
Yayın tarihi ve yeri: 08.12.2011, İstanbul

TÜRKİYE

Genel Müdür

İ.T.Ü.

İSTANBUL TECHNICAL UNIVERSITY
FACULTY OF CHEMICAL AND METALLURGICAL ENGINEERING
DEPARTMENT OF METALLURGICAL AND MATERIALS ENGINEERING

İsaret: B.30.2.İTÇ.0.50.00.0349-3 İstanbul, 18th October 2011

REPORT

This report is about the samples accompanying the letters dated 26th September 2011 of ALTINEL ALUMINIUM Metal Sanayi ve Ticaret A.Ş.

Sample: Aluminium glassware sample tyroclized with A50-2, glass with a mounting edge of 18 cm and a height of 100 cm being mounted thereon.

Request: Determination of the behaviour (resistance) of the glassware mounted according to the method of application to load.

Result: As shown in the pictures, the test system applied load to the glassware mounted on the test apparatus reproducibly to the glassware. The shift in the glassware due to the load applied was recorded. The values of shift in the 100cm glass and corresponding to the loads applied are given in the table below. The test lasted until the glass was broken. The load values given in the table mean the total load applied in the 100cm glass and together with its own weight

The results obtained show that the resistance of the glassware to the load applied is far above the resistances obtained in the study related to our report dated 26th June 2011.

Load Applied (kg)	Shift in Glass Glassware End (mm)
18.65	16
26.35	20
34.05	24
41.75	30
49.45	40
57.15	50
64.85	60
72.55	70
80.25	80
87.95	90 (glass broken)

İşin Başlatıcı ve Teslimatçı: İTÜ Kimya Fakültesi, Metalurji ve Malzeme Mühendisliği Bölümü, İstanbul

Şirket Adı: ALTINEL ALUMINIUM METAL SANAYİ VE TİCARET A.Ş.
Şirket Adresi: Mermerçiler Sanayi Sitesi 7. Cad. No: 6 Yakuplu Büyükdere / İstanbul - Türkiye

Genel Müdür

CE

INSPECCO

PT BSV NO 2011/03444

INSPECCO

CERTIFICATE

MOODY INTERNATIONAL

Moody International Certification hereby confirms that the company

ALTINEL ALUMINIYUM VE PVC SAN. TIC. A.Ş.

HO: B.O.S.B Mermerçiler San. Sitesi 7.Cad.No:10/A-B Beylikdüzü, İstanbul
Site: Bakır ve Princi Sanayicileri Sitesi Mustafa Kurtuluş Caddesi No:15 Beylikdüzü, İstanbul

has introduced and follows a Quality Management System according to the following standard

EN ISO 9001:2008

Scope of Registration

Production and sales of aluminium profile & TPV gaskets and spacer profiles for insulating glass; sales of insulating glass chemicals and accessories
Aluminium profile ve TPV Conta (Termo Plastik Vahalar) ile de cam profilleri üretimi ve satışı; sac cam kinyesaları ve aksesuarları satışı

Certificate Registration no.: Q110702
Issue date: 2012-02-03
Original issue date: 2011-07-20
This certificate is valid until: 2014-07-19

Şirket Adı: ALTINEL ALUMINIUM METAL SANAYİ VE TİCARET A.Ş.
Şirket Adresi: Mermerçiler Sanayi Sitesi 7. Cad. No: 6 Yakuplu Büyükdere / İstanbul - Türkiye

Genel Müdür

CE 2195

SR

FABRİKA ÜRETİM KONTROL BELGESİ

NO: 2195 - CPD - 1202701

Ürün Değerlendirme Kurumunun, üretim tesislerinin ve satış noktalarının yerleşik tesisler ve diğer tesisler ile ilgili olarak gerçekleştirilen denetim ve denetim raporlarının sonucunda, 27 Kasım 1988 tarihli ve 191/1988 sayılı Kanunla kabul edilmiş ve yürürlükte bulunan Türk Standartları Enstitüsü (TSE) tarafından yayımlanan TS EN ISO 9001:2008 standardına göre değerlendirilmiştir.

ALTINEL ALUMINIYUM VE PVC SAN. VE TIC. A.Ş.

BOB MERMERÇİLER SAN 7 CAD NO 10 A/B BEYLİKDÜZÜ İSTANBUL - TÜRKİYE
İsmine atılmıştır

Fabrika: BOB MERMERÇİLER SAN 7 CAD NO 10 A/B BEYLİKDÜZÜ İSTANBUL - TÜRKİYE adresindeki fabrikalarında üretim ve pazarlanmaktadır.

Ürün: Alüminyum ve Alüminyum alaşımların -Yapı İşleri için yapısal ürünler-
Ürün Tipi: Belirtilen Sayfa 2

Ticariyet ünlüleri, üretim tesisleri, üretim ve satış noktaları, üretim tesisleri ve diğer tesisler ile ilgili olarak gerçekleştirilen denetim ve denetim raporlarının sonucunda, 27 Kasım 1988 tarihli ve 191/1988 sayılı Kanunla kabul edilmiş ve yürürlükte bulunan Türk Standartları Enstitüsü (TSE) tarafından yayımlanan TS EN ISO 9001:2008 standardına göre değerlendirilmiştir.

EN 15088:2005

İsaret belgesinin 15.22 maddesinde öngörülen tüm şartların yerine getirilip getirilmediğini göstermektedir.

İsaret belgesi 27.01.2012 tarihinde değerlendirilmiştir. Belge geçerliliği için tüm şartların yerine getirilip getirilmediğini gösteren denetim raporlarının sonucunda, 27 Kasım 1988 tarihli ve 191/1988 sayılı Kanunla kabul edilmiş ve yürürlükte bulunan Türk Standartları Enstitüsü (TSE) tarafından yayımlanan TS EN ISO 9001:2008 standardına göre değerlendirilmiştir.

Yayın Tarihi: 27.01.2012

SZÜTEST

TEKİRİTİM KONTROL BELGESİ
T.C. İSİTİM VE TİCARET BAKANLIĞI
ULUSLARARASI İSİTİM VE TİCARET BAKANLIĞI
SİSTEM VE DENEYİM ENSTİTÜSÜ
SİSTEM VE DENEYİM ENSTİTÜSÜ
SİSTEM VE DENEYİM ENSTİTÜSÜ

Genel Müdür

2195-CPD-1202701 Sayfa 1/2



BTS ALUMINIUM

Our company which is established in 1986 under the name Ak Metal, continued with new settlement in 1998 and new name as BTS Aluminium. Our head Office and showroom are located at Çağlayan / Istanbul. Our factory which is situated at the address of Beylikdüzü Organize Sanayi Bölgesi, Mermerciler San. Sit. (15 km from Istanbul Atatürk Airport) is used by our managing and production departments. We are fulfilling our production with the latest technology machines in worldwide standards.

Our Company, who leded the producing of railing systems in Turkey and exported it's products to international markets, is still continue to develop itself, finding new solutions with new products and increasing it's reliability. Besides we are producing;

- Frameless Glass Railing Systems
- Aluminium & Glass wind breakers
- Visual communication systems, equipments and indoor display products
- Aluminium door handles
- Vitrines and showcases

Our company which has as principles the full customer's satisfaction, best service and high quality in products is exporting the %75 of it's production. We are giving enormous importance to develop continously new products in order to give the best service in this field.

Our company as BTS Aluminium is honored by quality certificate of ISO 9001-2008. As we are being BTS Aluminium, we are communicating with our esteemed partners through our professional crew and systems with finding fast solutions, responding to demands and supporting until the time of delivering products.

The product demands which we are receiving from you, we are manufacturing very sensitively in our latest technological machines and making them ready for delivery. We are providing to deliver our goods without any problem with the latest developed packaging systems. We are dispatching our goods to every destination in domestic market very easily and dispatching to every destination in international markets with the ways of road transport, sea transport, railway transport and air transport.

Nasza firma założona została w roku 1986 pod nazwą Ak Metal, działalność jej była kontynuowana na mocy postanowień (ustaleń) z roku 1998, a następnie pod nową nazwą BTS Aluminium. Centrala oraz salon wystawowy naszych produktów mają swoją siedzibę w Çağlayan w Stambule. Ponadto Dział Zarządzania i Dział Produkcji znajdują się w Beylikdüzü Organize Sanayi Bölgesi, Mermerciler San. Sit. (15 km od portu lotniczego Stambuł-Atatürk), gdzie usytuowana jest nasza fabryka. Dokładamy wszelkich starań aby produkcja odbywała się przy zastosowaniu najnowszych maszyn oraz urządzeń na światowym poziomie.

Firma BTS Aluminium może pochwalić się wiodącą pozycją w produkcji systemu barier oraz balustrad w Turcji, jak również eksportem na rynki międzynarodowe. Celem naszej firmy jest stały rozwój, znajdowanie nowych rozwiązań przy zastosowaniu najnowszej technologii, a także wzrost niezawodności działania. Ponadto zajmujemy się produkcją:

- balustrad całoszklanych,
- balustrad wiatrochronnych aluminiowych oraz szklanych,
- systemów komunikacji wizerunkowej, urządzeń oraz wewnętrznych ekspozycji,
- klamek wykonanych z aluminium,
- witryn wystawowych oraz gablot.

Nasza firma na chwilę obecną eksportuje 75% swoich produktów na inne rynki. Głównym celem jest zadowolenia klienta oraz wysoka jakość świadczonych usług. Przykładamy dużą uwagę do ciągłego rozwoju naszych produktów aby móc świadczyć jak najlepsze usługi. Firma BTS została wyróżniona certyfikatem ISO 9001-2008. Nasi klienci są dla nas najważniejsi i dlatego nasz zespół dba o ciągły kontakt, aby na bieżąco znajdować rozwiązania, przyjmować i realizować zamówienia oraz oferować wsparcie (obsługę).

Państwa zamówienia (zapotrzebowanie), które otrzymujemy przygotowujemy się z pełną precyzją przy zastosowaniu najnowszych technologii. W celu dostarczenia Państwa zlecenia bez jakichkolwiek problemów firma nasza korzysta z najnowszych systemów pakowania. Towar wysyłany jest na każdy adres krajowy oraz zagraniczny. W tym celu korzystamy z transportu drogowego, morskiego, kolejowego oraz lotniczego.





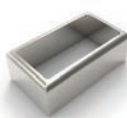
SQUARE SYSTEM SL14

Glass Model Railing
System całoszklany
z poręczą

The Profiles and Accessories Shown in the System / Profile i akcesoria widoczne w systemie



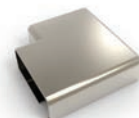
AK-5137



AK-5136



AK-5003



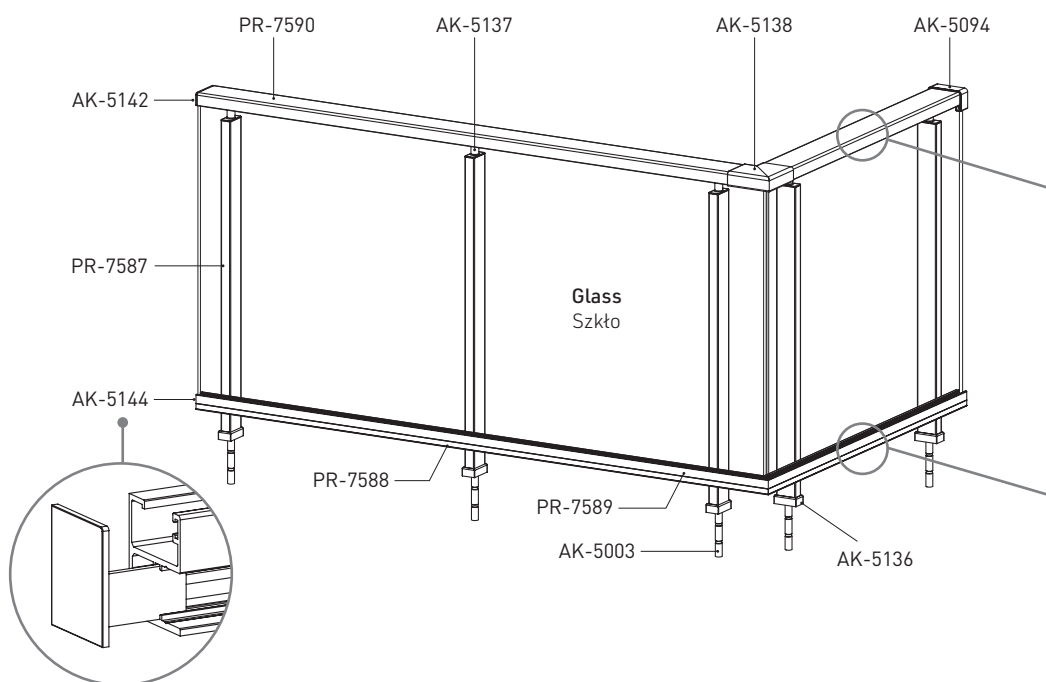
AK-5138



AK-5094



AK-5142



You can watch the installation video of this system on Youtube BTS System channel.
Możesz obejrzeć instruktaż montażu tego systemu na naszym kanale BTS System w serwisie YouTube.





BTS RAILING Systems



AK-5144



PR-7590



PR-7587



PR-7589



PR-7588



AK-FT10



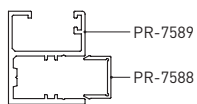
AK-FT11



AK-5027K

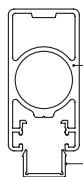


PR-8385



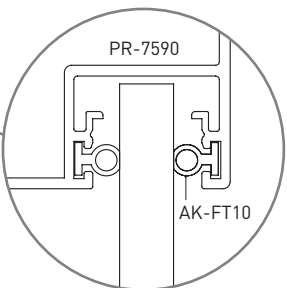
PR-7589

PR-7588



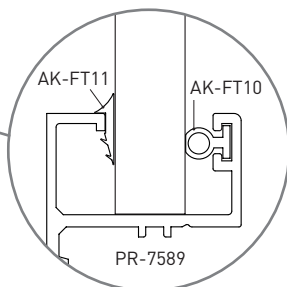
PR-7587

PR-7588



PR-7590

AK-FT10



AK-FT11

AK-FT10

PR-7589





SQUARE SYSTEM SL15

Glass Model Railing
System całoszklany
z poręczą

The Profiles and Accessories Shown in the System / Profile i akcesoria widoczne w systemie



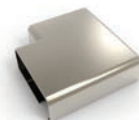
AK-5137



AK-5136



AK-5003



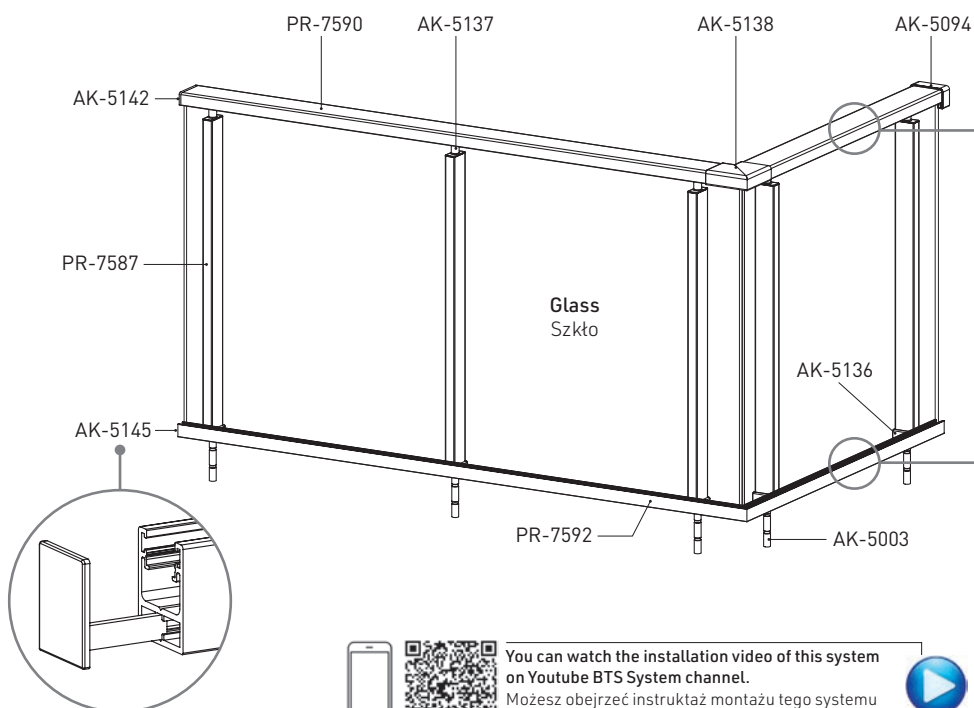
AK-5138



AK-5094

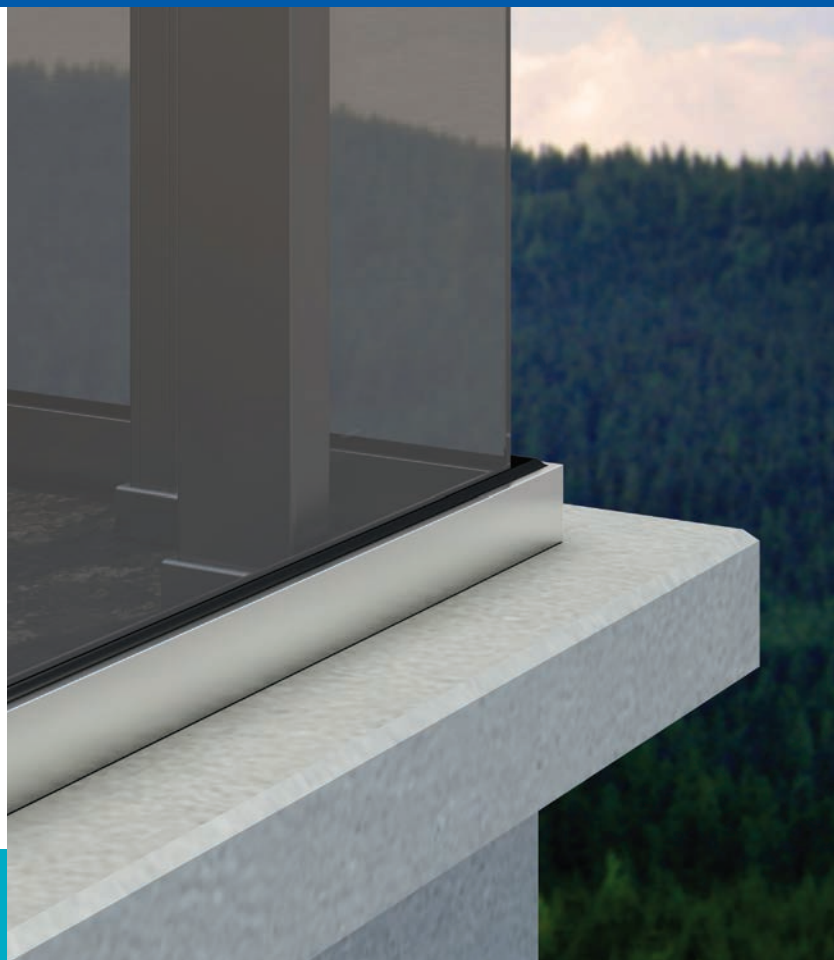


AK-5142



You can watch the installation video of this system on Youtube BTS System channel.
Możesz obejrzeć instruktaż montażu tego systemu na naszym kanale BTS System w serwisie YouTube.





BTS RAILING Systems



AK-5145



PR-7590



PR-7587



PR-7592



PR-7588



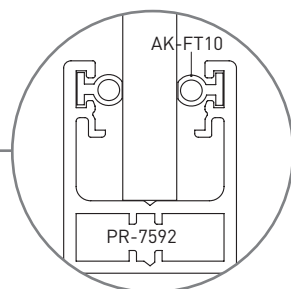
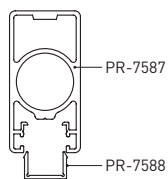
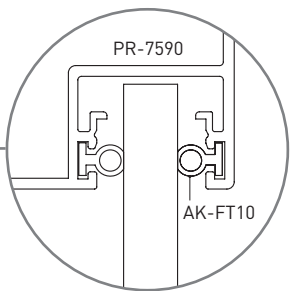
AK-FT10



AK-5027K



PR-8385





SQUARE SYSTEM LX14

Horizontal Safety Line
Railing
System balustrad poziomy

The Profiles and Accessories Shown in the System / Profile i akcesoria widoczne w systemie



AK-5165



AK-5093



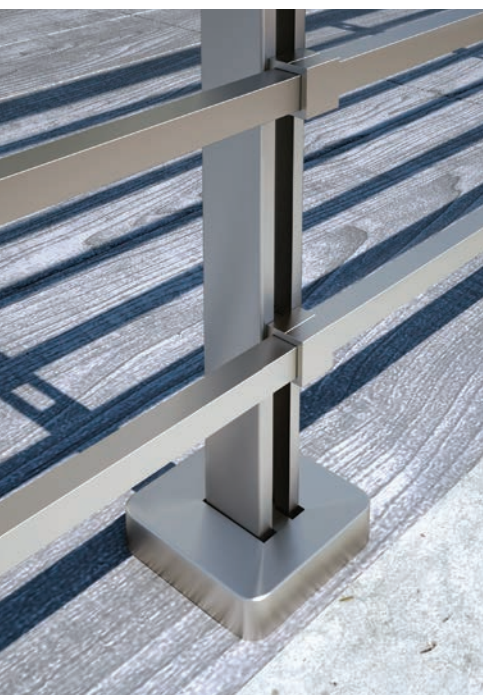
AK-5104



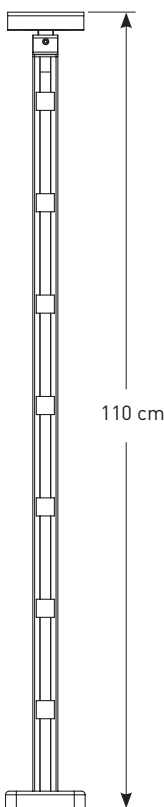
AK-5130



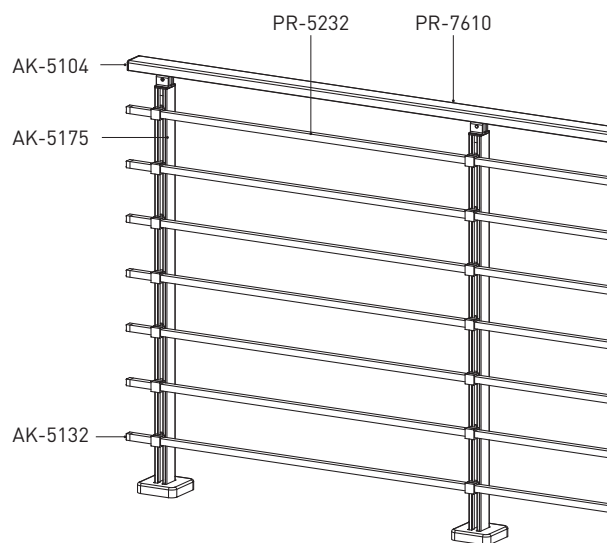
AK-5132



AK-5175



110 cm



You can watch the installation video of this system on Youtube BTS System channel.
Możesz obejrzeć instruktaż montażu tego systemu na naszym kanale BTS System w serwisie YouTube.





BTS
RAILING Systems



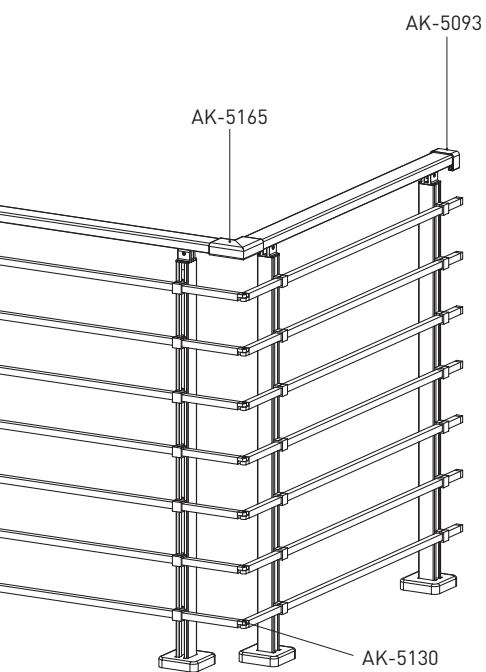
PR-7610



PR-5232



AK-5027K



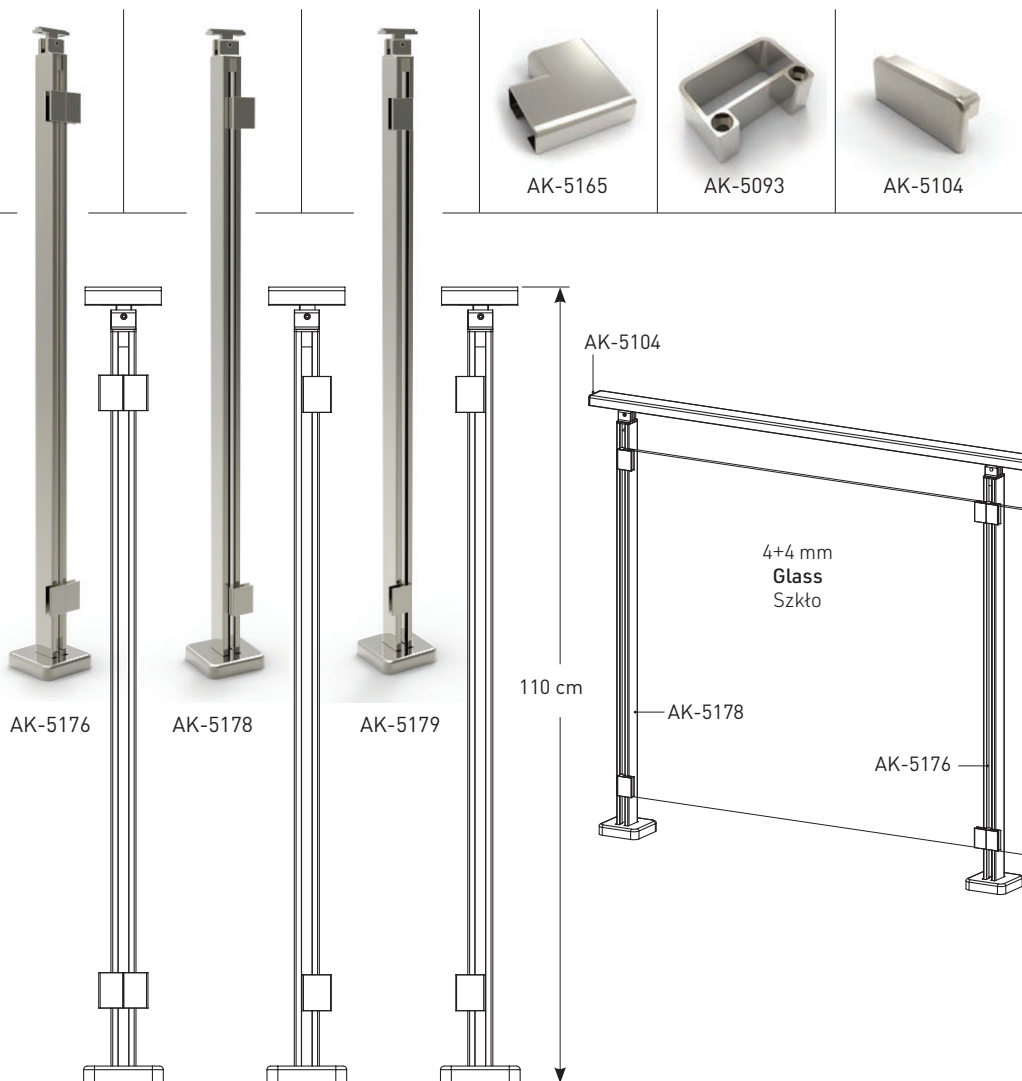


SQUARE SYSTEM LX15

Glass Model Railing
System całoszklany
z poręczą



The Profiles and Accessories Shown in the System / Profile i akcesoria widoczne w systemie





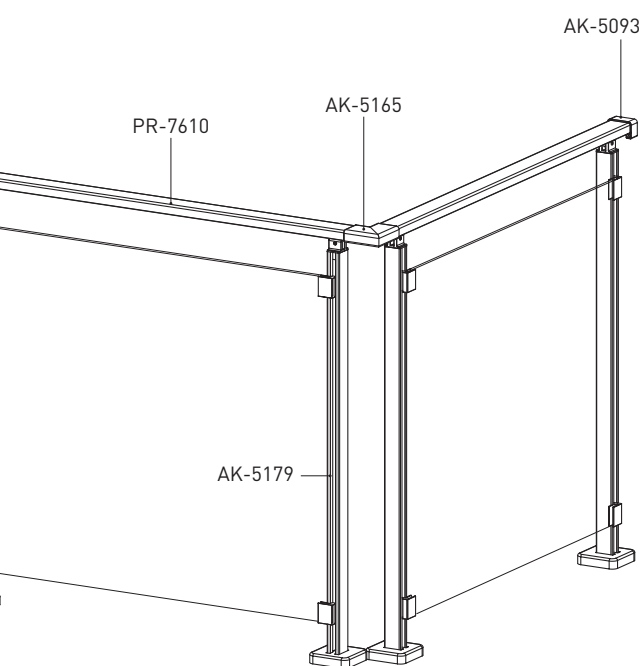
BTS
RAILING Systems



PR-7610



AK-5027K



You can watch the installation video of this system on Youtube BTS System channel.
Możesz obejrzeć instruktaż montażu tego systemu na naszym kanale BTS System w serwisie YouTube.



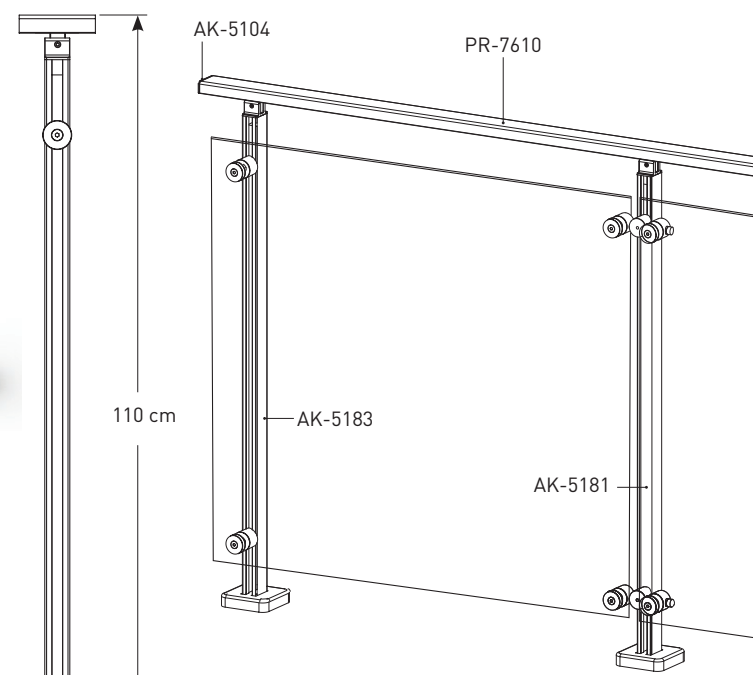
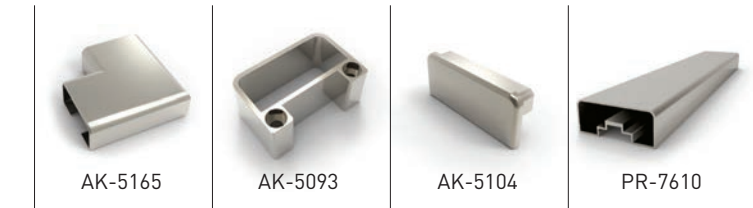


SQUARE SYSTEM LX16

Glass Model Railing
System całoszklany
z poręczą



The Profiles and Accessories Shown in the System / Profile i akcesoria widoczne w systemie



You can watch the installation video of this system on Youtube BTS System channel.
Możesz obejrzeć instruktaż montażu tego systemu na naszym kanale BTS System w serwisie YouTube.

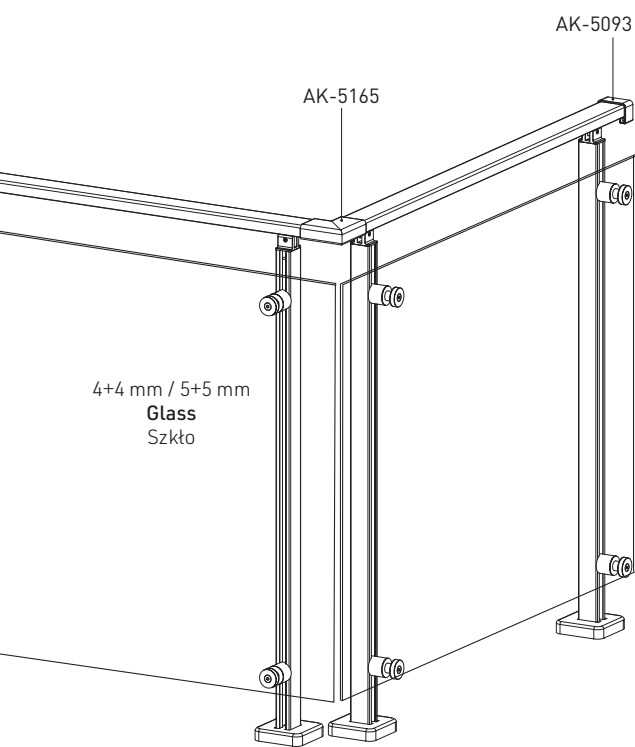




BTS
RAILING Systems



AK-5027K





SQUARE SYSTEM LX17

Glass Model Railing
System całoszklany
z poręczą

The Profiles and Accessories Shown in the System / Profile i akcesoria widoczne w systemie



PR-8184



PR-6728



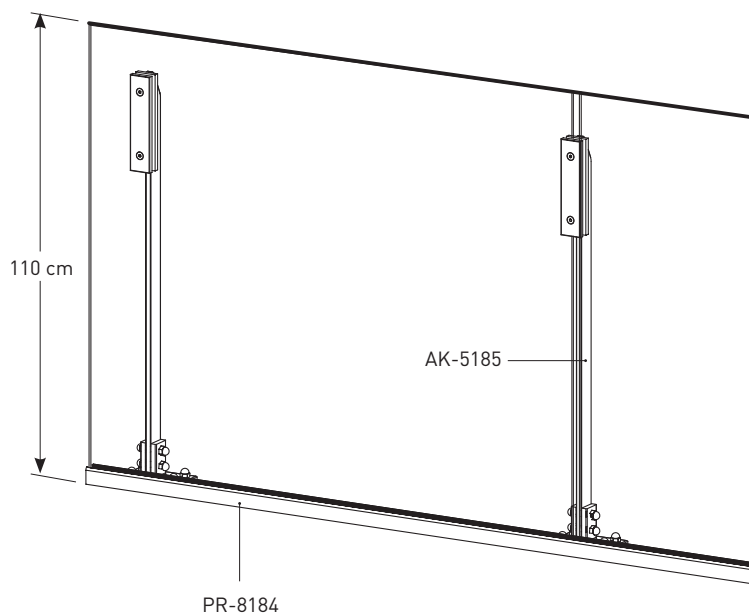
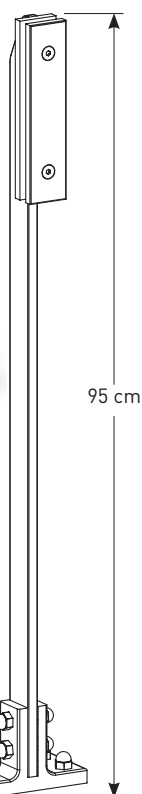
AK-FT10



AK-5027K



AK-5185

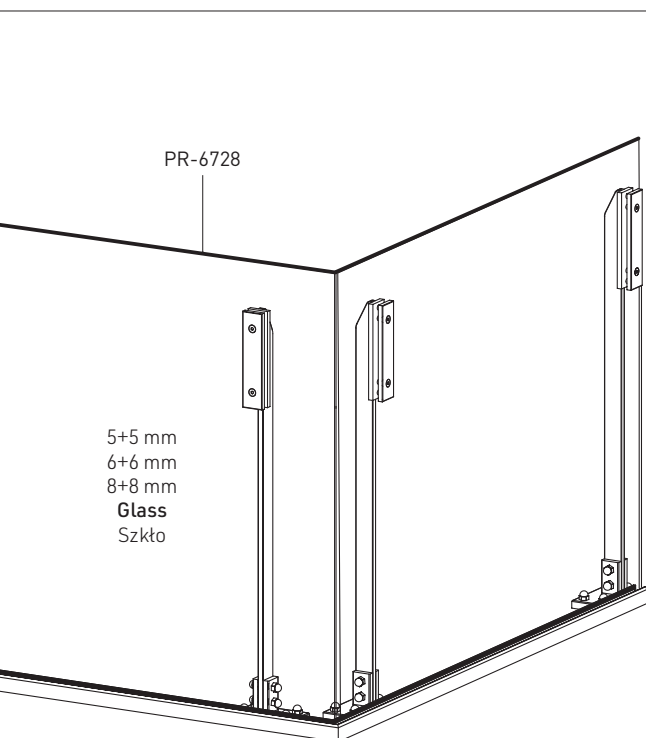


You can watch the installation video of this system on Youtube BTS System channel.
Możesz obejrzeć instruktaż montażu tego systemu na naszym kanale BTS System w serwisie YouTube.





BTS
RAILING Systems





SQUARE SYSTEM LX18

Glass Model Railing
System całoszklany
z poręczą



The Profiles and Accessories Shown in the System / Profile i akcesoria widoczne w systemie



AK-5191



AK-5165



AK-5093



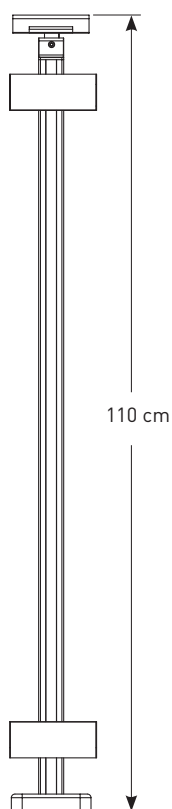
AK-5104



PR-7610



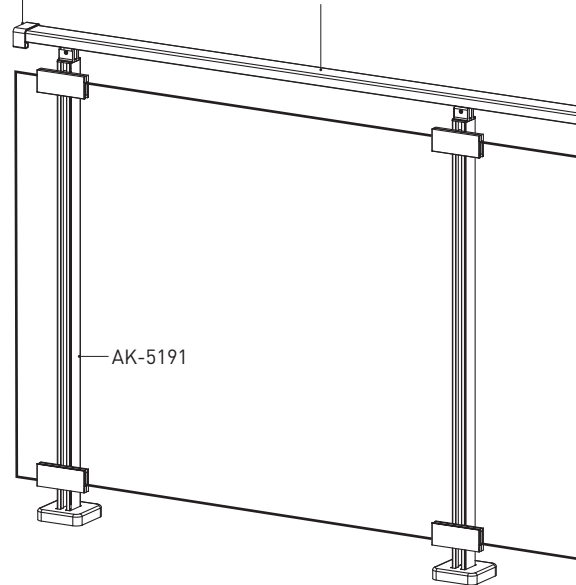
AK-5027K



110 cm

AK-5093

PR-7610



AK-5191

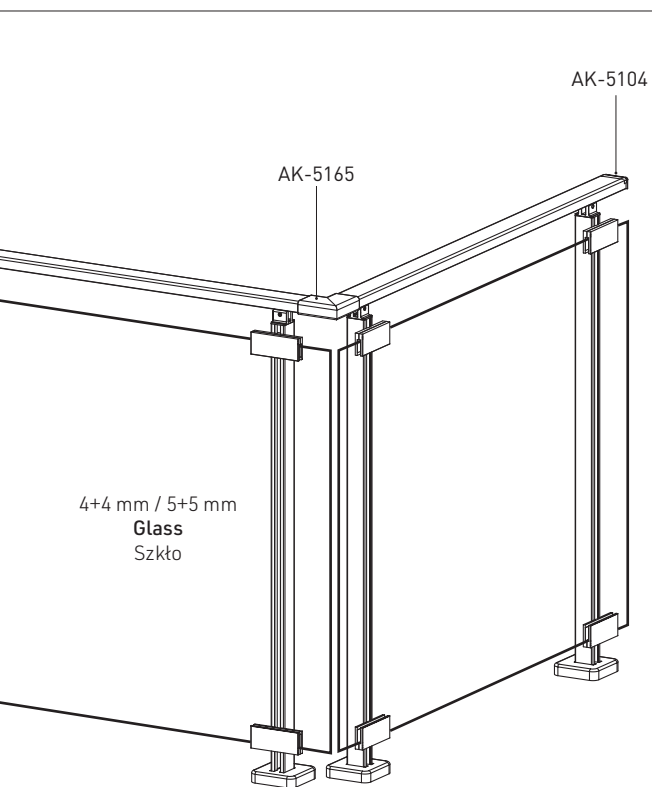


You can watch the installation video of this system on Youtube BTS System channel.
Możesz obejrzeć instruktaż montażu tego systemu na naszym kanale BTS System w serwisie YouTube.





BTS
RAILING Systems





SQUARE SYSTEM LX20

Glass Model Railing
System całoszklany
z poręczą

The Profiles and Accessories Shown in the System / Profile i akcesoria widoczne w systemie



AK-5184



PR-2108
Thickness / Grubość 2.5 mm



PR-8184



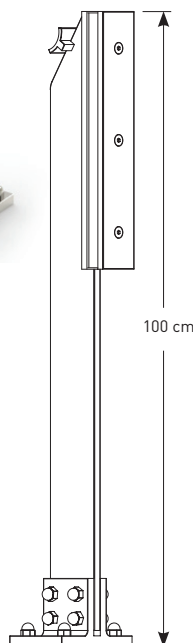
AK-5020SA



AK-5008

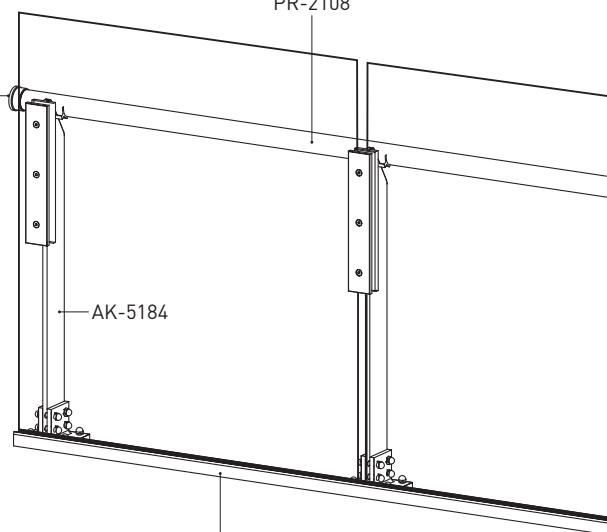


PR-3442
Thickness / Grubość 2 mm



AK-5008

PR-2108



AK-5184

PR-8184



You can watch the installation video of this system on Youtube BTS System channel.
Możesz obejrzeć instruktaż montażu tego systemu na naszym kanale BTS System w serwisie YouTube.





BTS
RAILING Systems



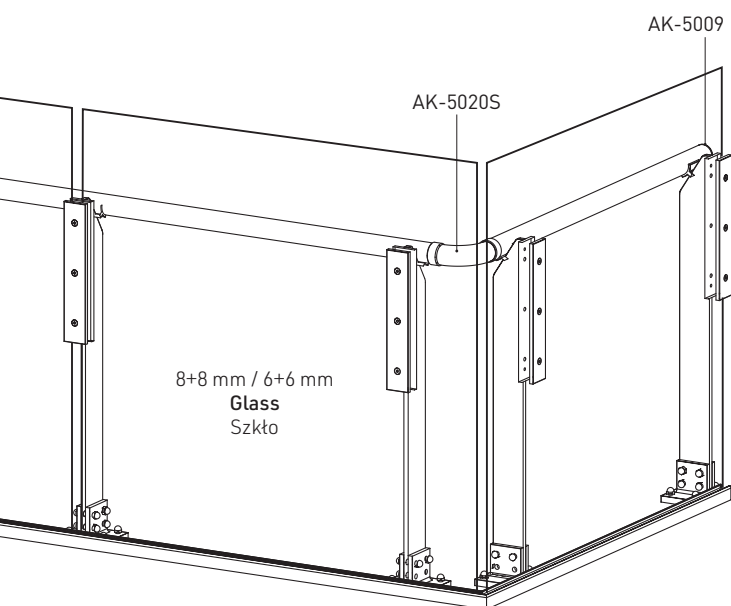
AK-5009



AK-FT10



AK-5027K





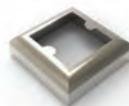
SQUARE SYSTEM
SL16

Glass Model Railing
System całoszklany
z poręczą

The Profiles and Accessories Shown in the System / Profile i akcesoria widoczne w systemie



AK-5126



AK-5107



AK-5003



AK-5133



AK-5139



AK-5093



AK-5125



AK-65002



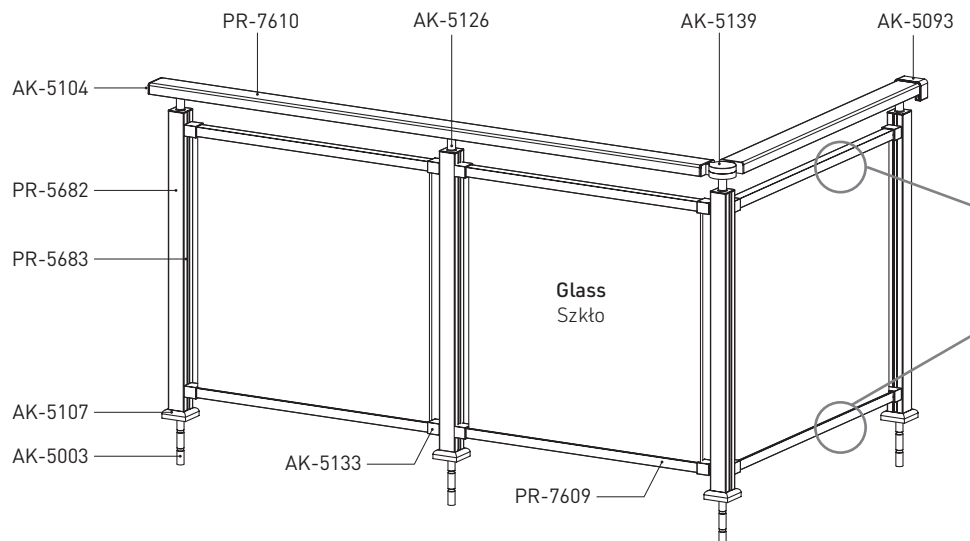
AK-5165



AK-5135



Profile and Accessory Alternatives / Alternatywne profile i akcesoria





BTS RAILING Systems



AK-5027K



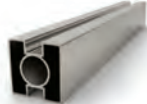
AK-5104



PR-7609



PR-7610



PR-5682



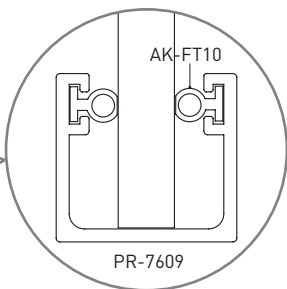
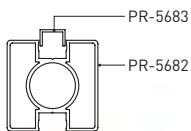
PR-5683



AK-FT10



PR-8337



You can watch the installation video of this system on Youtube BTS System channel.
Możesz obejrzeć instruktaż montażu tego systemu na naszym kanale BTS System w serwisie YouTube.





ROUND SYSTEM RL10

Horizontal Safety Line
Railing
System balustrad poziomy



The Profiles and Accessories Shown in the System / Profile i akcesoria widoczne w systemie

 AK-5039N	 AK-5036X	 AK-5011Y	 AK-5020E	 AK-5037	 AK-5009
 AK-5001	 AK-5186	 AK-5011	 AK-5020X	 AK-5008	 AK-5009Y
 AK-5039Y	 AK-5002	 AK-5011A	 AK-5020NX	 AK-5008YA	 AK-5009S
 AK-5039	 AK-5002S	 AK-5011E	 AK-5020K		
 AK-5066	 AK-5036C		 AK-5020S		
 AK-5002I	 AK-5089		 AK-5162		
 AK-5039L	 AK-5002C				

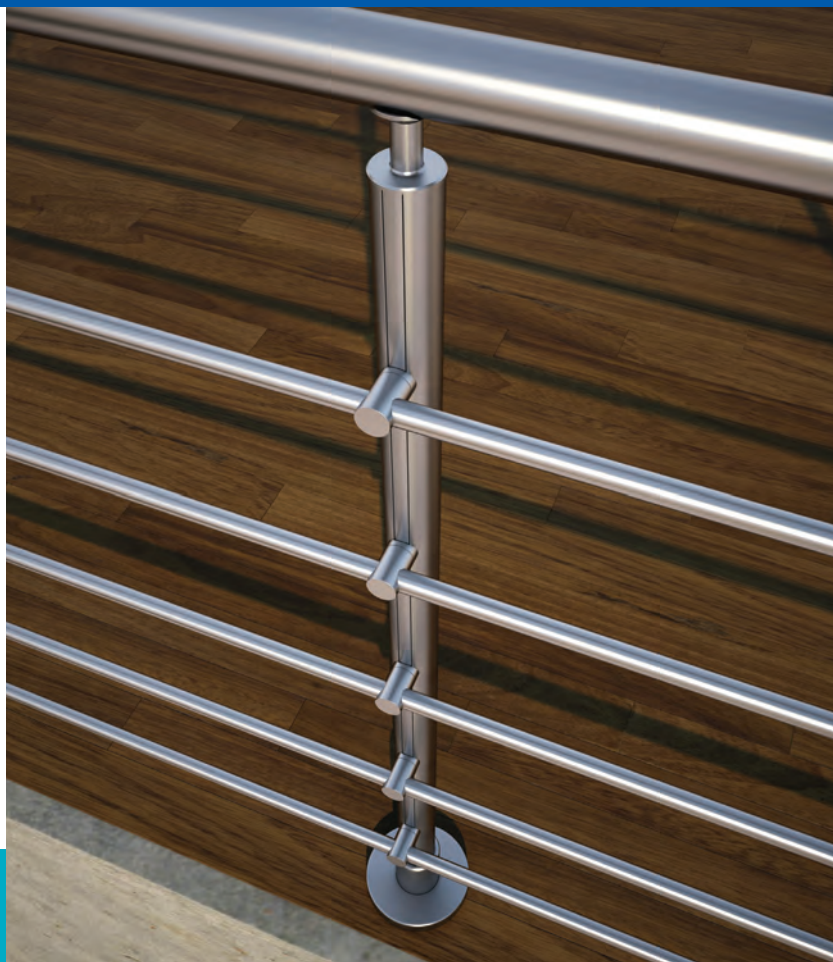
Profile and Accessory Alternatives / Alternatywne profile i akcesoria
















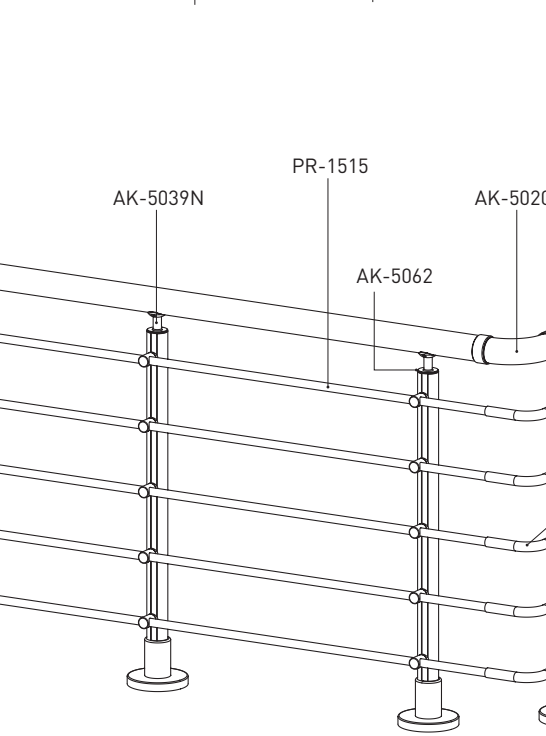








You can watch the installation video of this system on YouTube BTS System channel. Możesz obejrzeć instrukcję montażu tego systemu na naszym kanale BTS System w serwisie YouTube.



BTS RAILING Systems

 <p>AK-5022A</p>	 <p>AK-5012A</p>	 <p>AK-5062</p>	 <p>PR-2108 Thickness / Grubość 2.5mm</p>	 <p>PR-2646 Thickness / Grubość 2.5mm</p>	 <p>PR-2647</p>	 <p>PR-1515</p>	 <p>AK-5027K ETA Certified</p>
 <p>AK-5022Y</p>	 <p>AK-5012Y</p>		 <p>PR-3442 Thickness / Grubość 2 mm</p>	 <p>PR-5202 Thickness / Grubość 2 mm</p>	 <p>PR-2647 PR-2646</p>	 <p>PR-5006</p>	
 <p>AK-5039N</p> <p>PR-1515</p> <p>AK-5020E</p> <p>AK-5062</p> <p>AK-5022A</p>			 <p>PR-8301</p>	 <p>PR-6060</p>	 <p>PR-5005</p>		



ROUND SYSTEM RL11

Vertical Safety Line Railing

System balustrad pionowy



The Profiles and Accessories Shown in the System / Profile i akcesoria widoczne w systemie

Profile and Accessory Alternatives / Alternatywne profile i akcesoria

 AK-5039N	 AK-5089	 AK-5035	 AK-5058A	 AK-5092	 AK-5037
 AK-5001	 AK-5186	 AK-5035N	 AK-5058	 AK-5020KM	 AK-5008
 AK-5039Y	 AK-5036X	 AK-5123			 AK-5008YA
 AK-5039	 AK-5002				
 AK-5066	 AK-5002S				
 AK-5002I	 AK-5036C				
 AK-5039L	 AK-5002C				



You can watch the installation video of this system on Youtube BTS System channel.
Możesz obejrzeć instruktaż montażu tego systemu na naszym kanale BTS System w serwisie YouTube.





BTS RAILING Systems



AK-5062



PR-2108
Thickness / Grubość 2.5mm



PR-2646
Thickness / Grubość 2.5mm



PR-2647



PR-3000



PR-1515



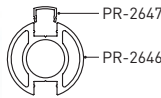
AK-5027K



PR-3442
Thickness / Grubość 2 mm



PR-5202
Thickness / Grubość 2 mm



PR-2647

PR-2646



PR-3000-D



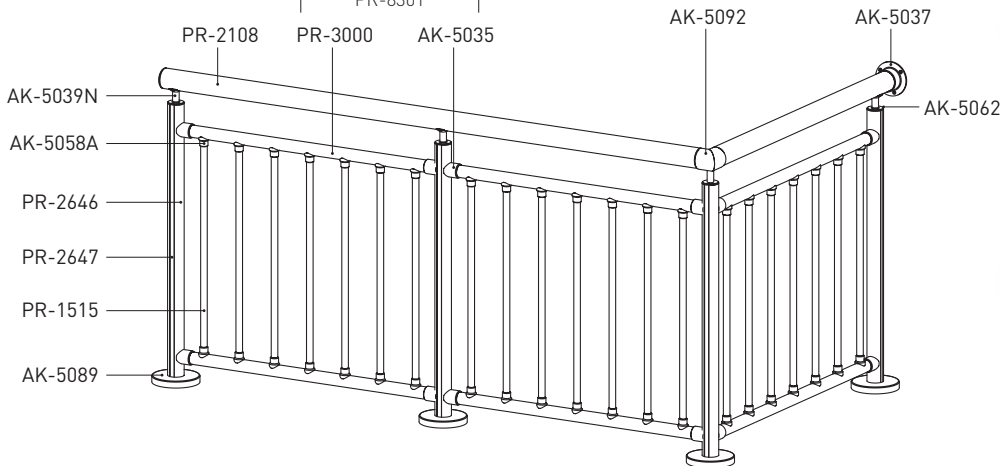
PR-5006



PR-6060



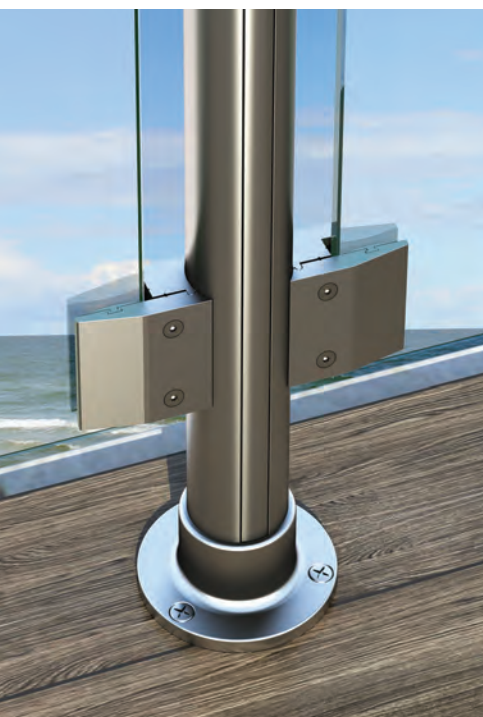
PR-8301





ROUND SYSTEM RL12

Glass Model Railing
System całoszklany
z poręczą



The Profiles and Accessories Shown in the System / Profile i akcesoria widoczne w systemie

					
AK-5039N	AK-5036C	AK-5025X	AK-5092	AK-5008	AK-5062
					
AK-5001	AK-5186	AK-5127	AK-5020KM	AK-5037	
					
AK-5039Y	AK-5036X	AK-5014N		AK-5008YA	
					
AK-5039	AK-5002	AK-5014			
					
AK-5066	AK-5002S	AK-5025A			
					
AK-5002I	AK-5089	AK-5025			
					
AK-5039L	AK-5002C				

Profile and Accessory Alternatives / Alternatywne profile i akcesoria

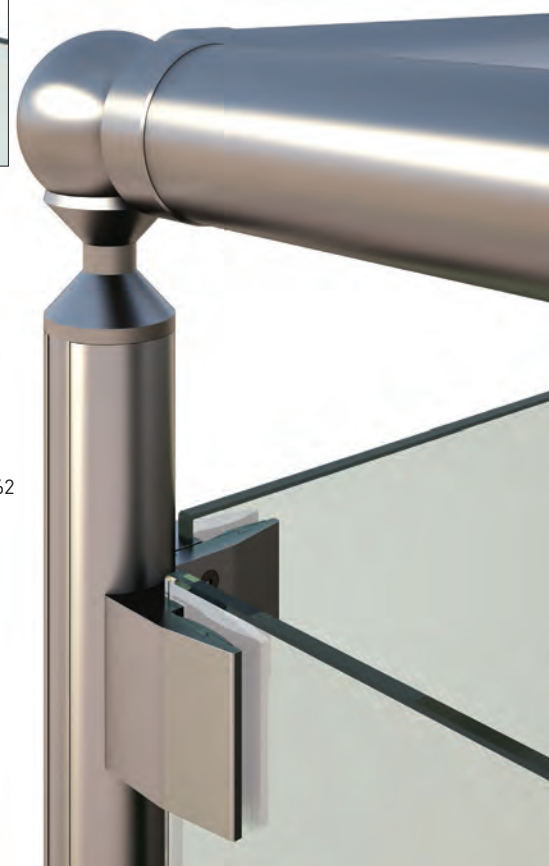
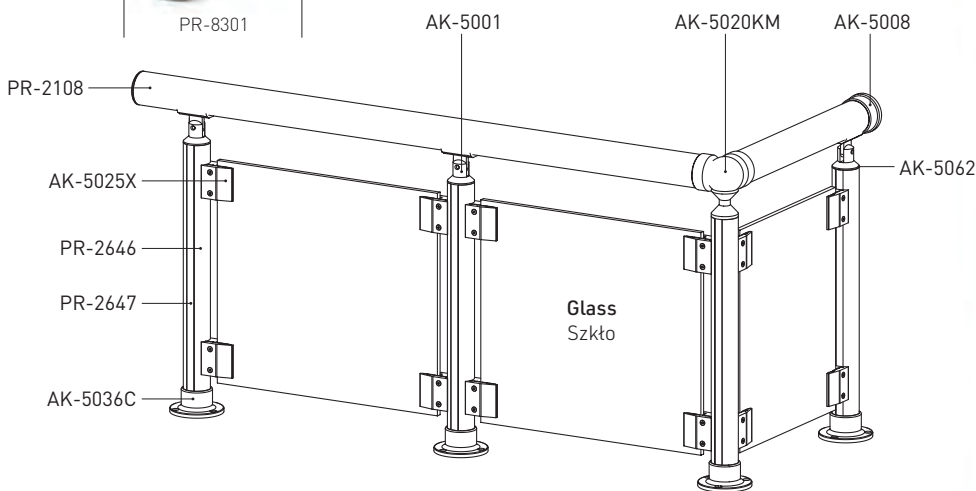
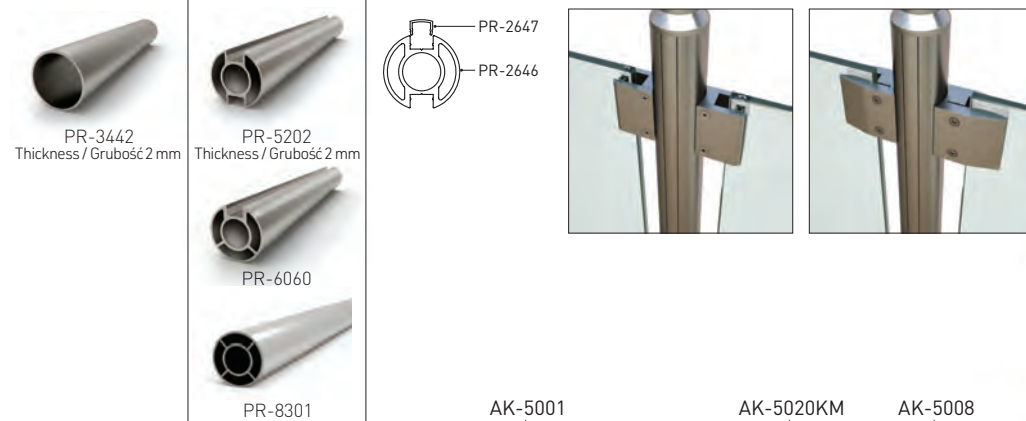
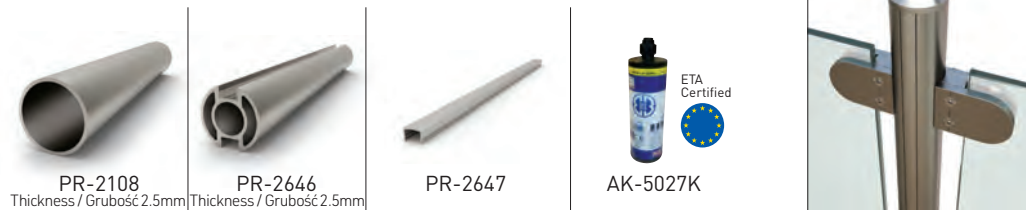


You can watch the installation video of this system on Youtube BTS System channel.
Możesz obejrzeć instruktaż montażu tego systemu na naszym kanale BTS System w serwisie YouTube.





BTS
RAILING Systems





COMBI SYSTEM CL10

Side Mount Railing
System balustrad
mocowany doczołowo



Profile and Accessory Alternatives / Alternatywne profile i akcesoria

The Profiles and Accessories Shown in the System / Profile i akcesoria widoczne w systemie



AK-5128



AK-5031U-15



AK-5118



AK-5132



AK-5130



AK-5129



AK-5135



AK-5031U



AK-5131



AK-5165



AK-5187



AK-5069



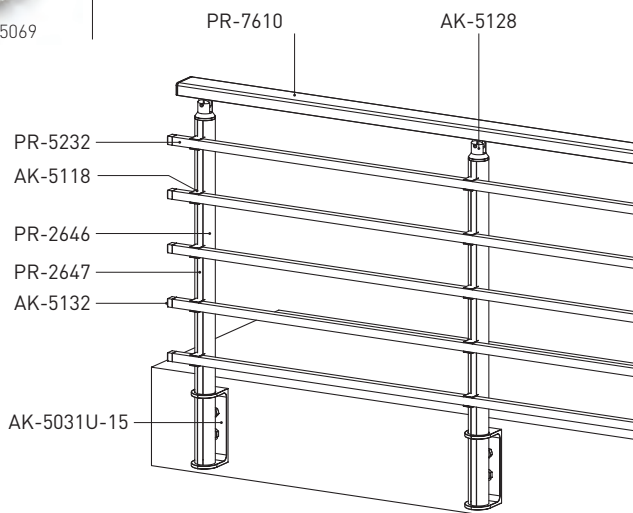
AK-5030



AK-5018



AK-5029



You can watch the installation video of this system on Youtube BTS System channel.
Możesz obejrzeć instruktaż montażu tego systemu na naszym kanale BTS System w serwisie YouTube.





BTS RAILING Systems



AK-5093



PR-7610



PR-2646

Thickness / Grubość 2.5mm



PR-2647



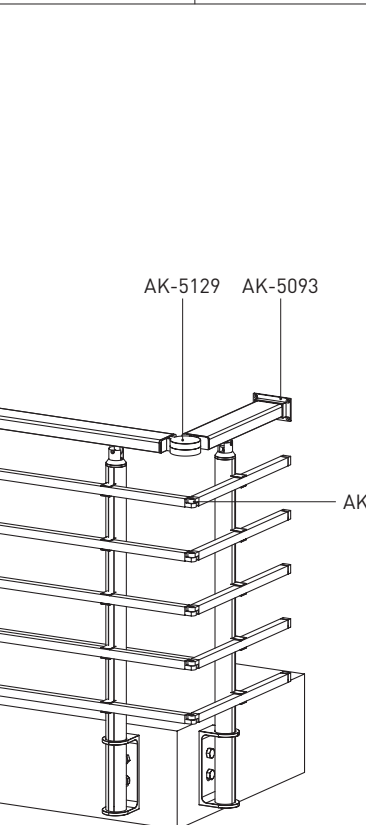
PR-5232



AK-5027K



ETA Certified



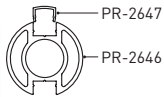
PR-5202
Thickness / Grubość 2 mm



PR-6060

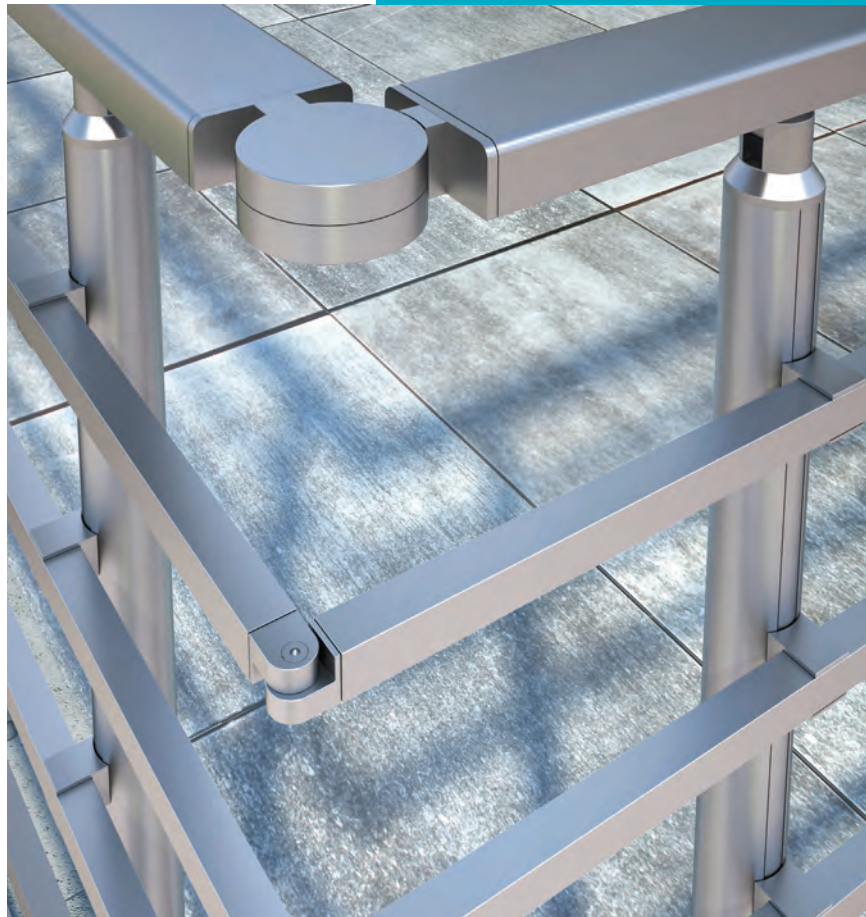


PR-8301



PR-2647

PR-2646

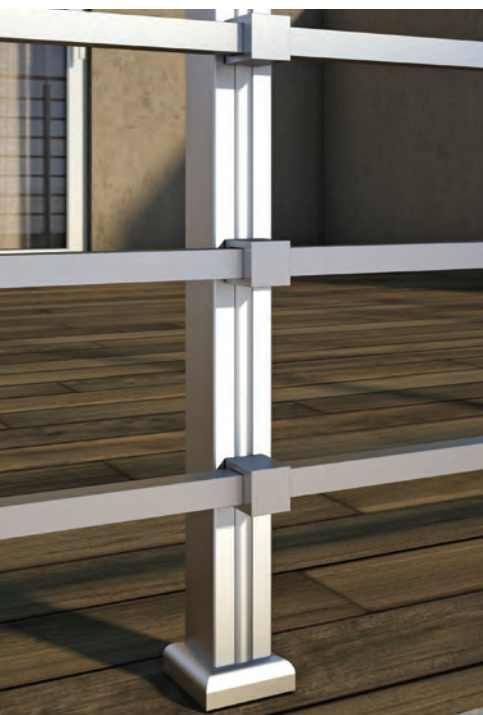




SQUARE SYSTEM SL10

Horizontal Safety Line Railing

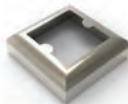
System balustrad poziomy



The Profiles and Accessories Shown in the System / Profile i akcesoria widoczne w systemie



AK-5126



AK-5107



AK-5003



AK-5131



AK-5132



AK-5130



AK-5125



AK-65002



AK-5003E



AK-5070



AK-5135



AK-5141

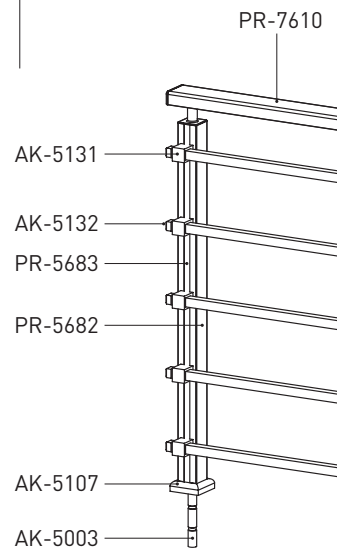


AK-5003-40



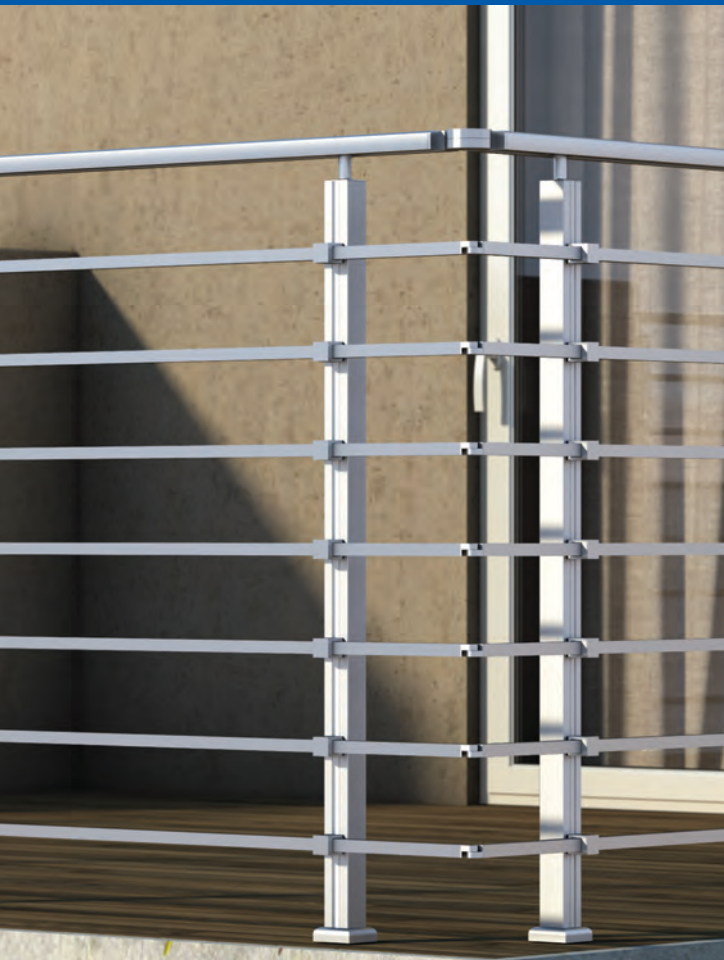
AK-5119

Profile and Accessory Alternatives / Alternatywne profile i akcesoria



You can watch the installation video of this system on Youtube BTS System channel.
Możesz obejrzeć instruktaż montażu tego systemu na naszym kanale BTS System w serwisie YouTube.





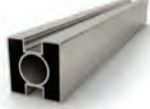
BTS
RAILING Systems



AK-5129



AK-5093



PR-5682



PR-5683



PR-7610



PR-5232



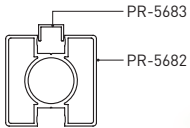
AK-5027K



AK-5165



PR-8337



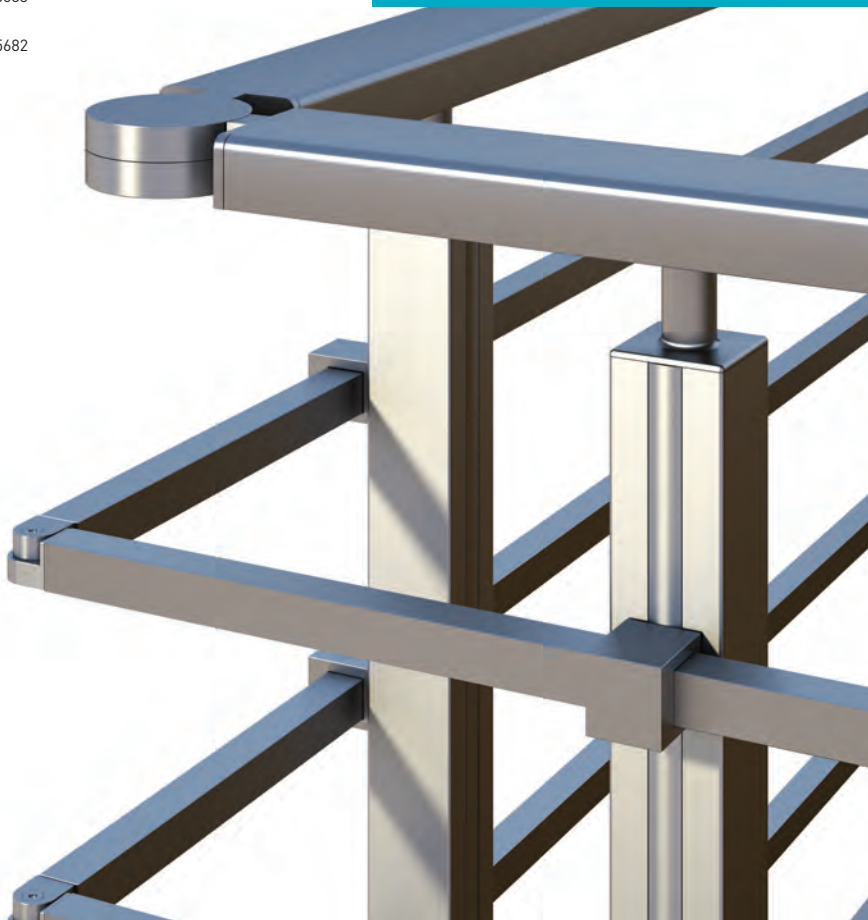
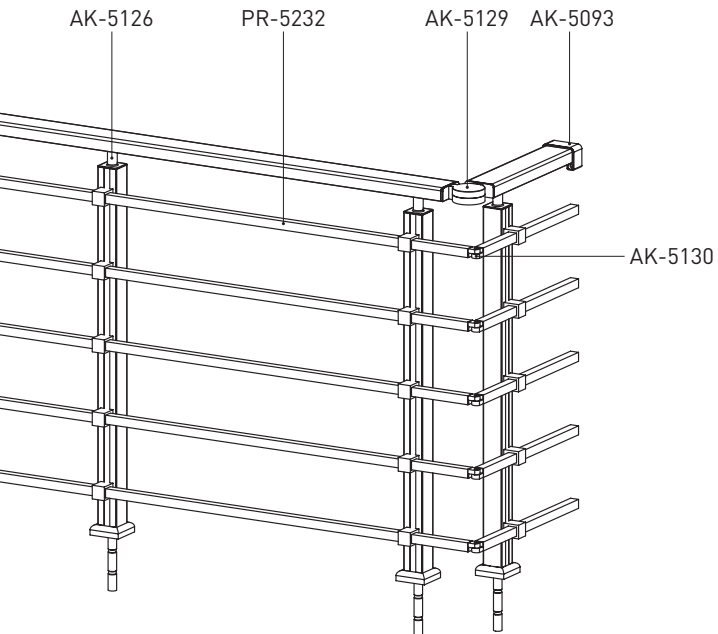
AK-5126

PR-5232

AK-5129

AK-5093

AK-5130





SQUARE SYSTEM SL11

Vertical Safety Line Railing

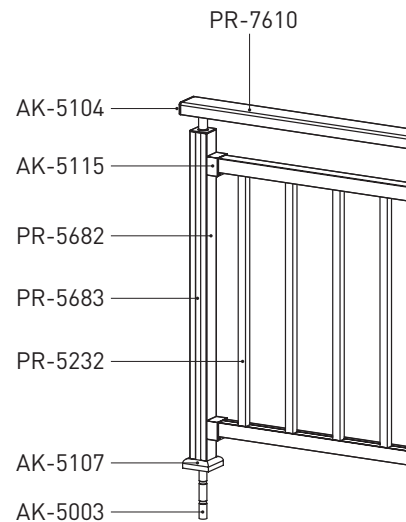
System balustrad pionowy



The Profiles and Accessories Shown in the System / Profile i akcesoria widoczne w systemie



Profile and Accessory Alternatives / Alternatywne profile i akcesoria



You can watch the installation video of this system on Youtube BTS System channel.

Możesz obejrzeć instruktaż montażu tego systemu na naszym kanale BTS System w serwisie YouTube.

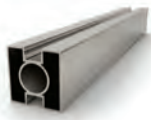




BTS
RAILING Systems



AK-5093



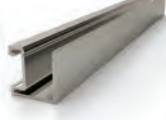
PR-5682



PR-5683



PR-7610



PR-6862



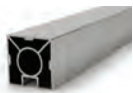
PR-4228



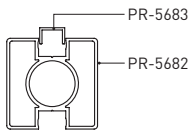
PR-5232



AK-5027K

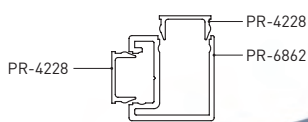


PR-8337



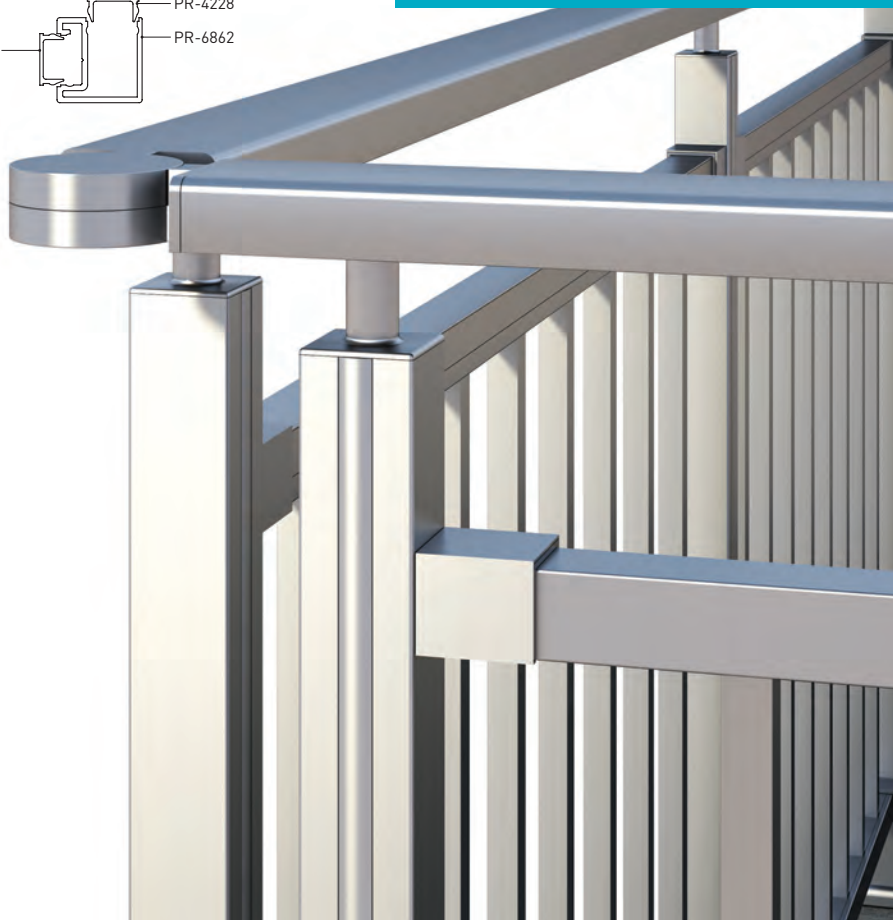
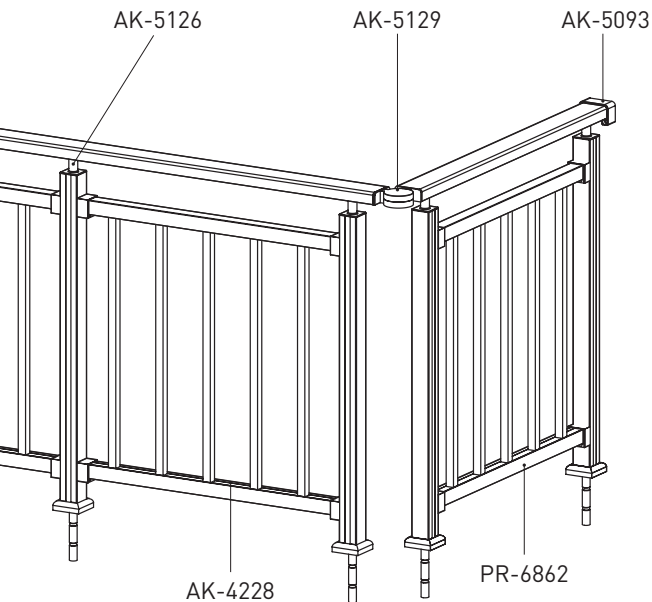
PR-5683

PR-5682



PR-4228

PR-6862





SQUARE SYSTEM SL12

Glass Model Railing
System całoszklany
z poręczą



The Profiles and Accessories Shown in the System / Profile i akcesoria widoczne w systemie

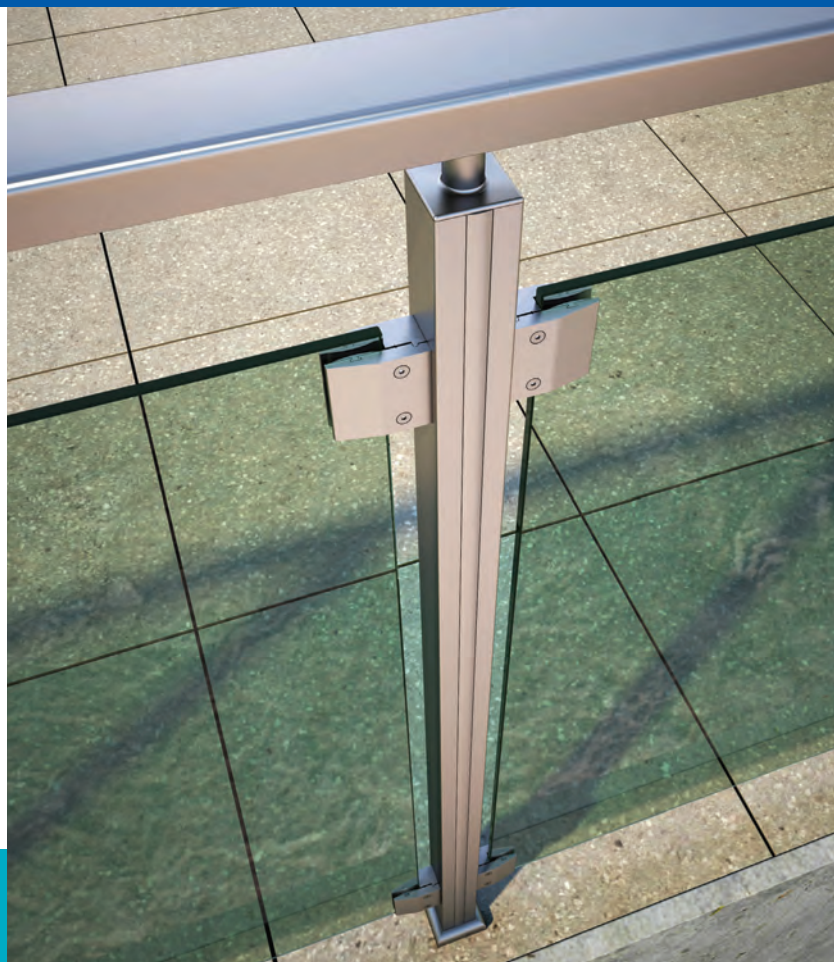
 AK-5126	 AK-5107	 AK-5003	 AK-5105	 AK-5109	 AK-5093
 AK-5125	 AK-65002	 AK-5003E	 AK-5103	 AK-5129	
 AK-5135	 AK-5141	 AK-5003-40	 AK-5106	 AK-5110	
			 AK-5014	 AK-5100	AK-5104
			 AK-5015	 AK-5139	AK-5105
			 AK-5016	 AK-5165	PR-5682
					PR-5683
					AK-5107
					AK-5003

Profile and Accessory Alternatives / Alternatywne profile i akcesoria



You can watch the installation video of this system on Youtube BTS System channel.
Możesz obejrzeć instruktaż montażu tego systemu na naszym kanale BTS System w serwisie YouTube.

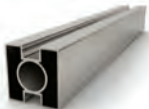




BTS
RAILING Systems



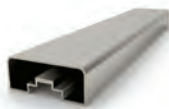
AK-5104



PR-5682



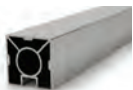
PR-5683



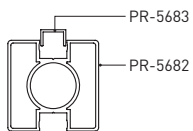
PR-7610



AK-5027K

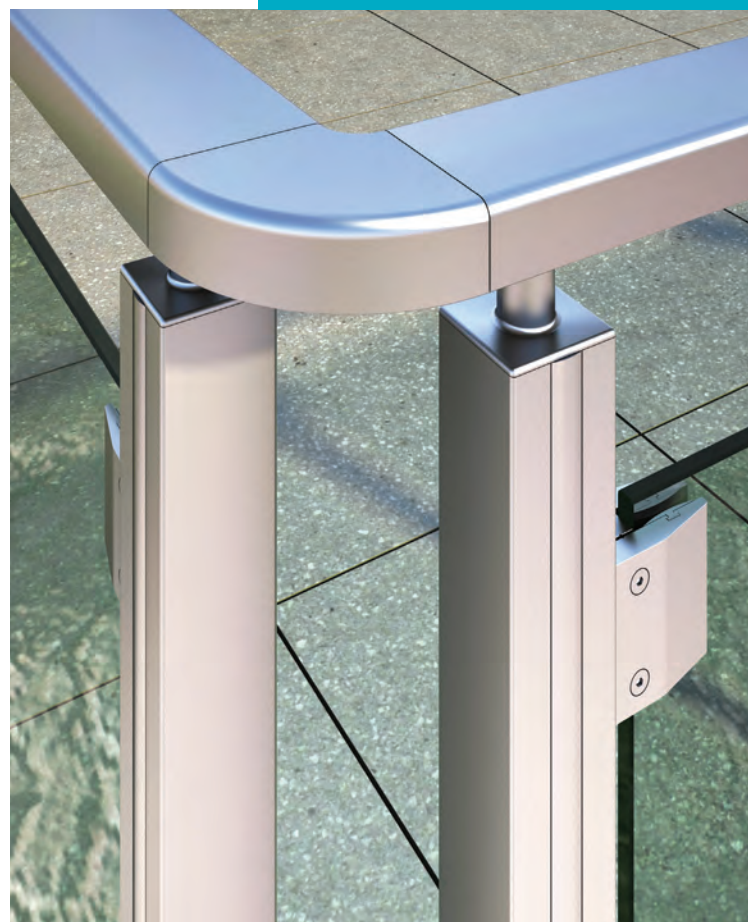
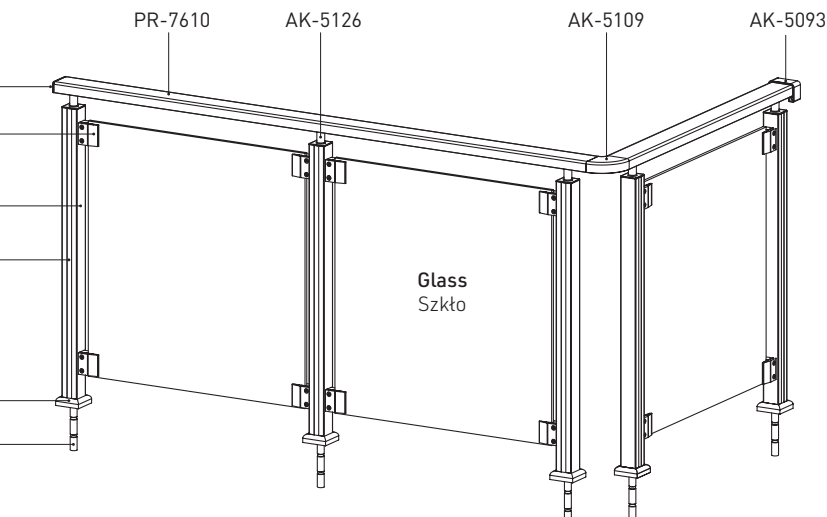


PR-8337



PR-5683

PR-5682





COMBI SYSTEM CL11

Horizontal Safety Line Railing

System balustrad poziomy



The Profiles and Accessories Shown in the System / Profile i akcesoria widoczne w systemie

 AK-5126	 AK-5107	 AK-5003	 AK-5095	 AK-5109	 AK-5093
 AK-5125	 AK-65002	 AK-5003E	 AK-5097	 AK-5129	
 AK-5135	 AK-5141	 AK-5003-40		 AK-5110	
				 AK-5100	
				 AK-5139	
				 AK-5165	

Profile and Accessory Alternatives / Alternatywne profile i akcesoria



You can watch the installation video of this system on Youtube BTS System channel.
Możesz obejrzeć instruktaż montażu tego systemu na naszym kanale BTS System w serwisie YouTube.

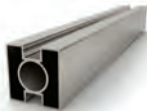




BTS
RAILING Systems



AK-5104



PR-5682



PR-5683



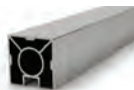
PR-7610



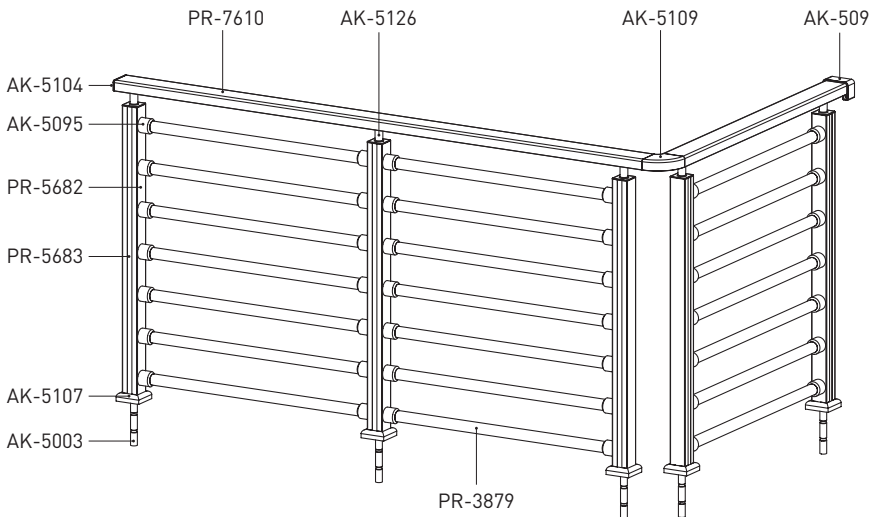
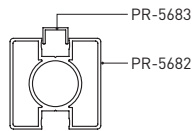
PR-3879



AK-5027K



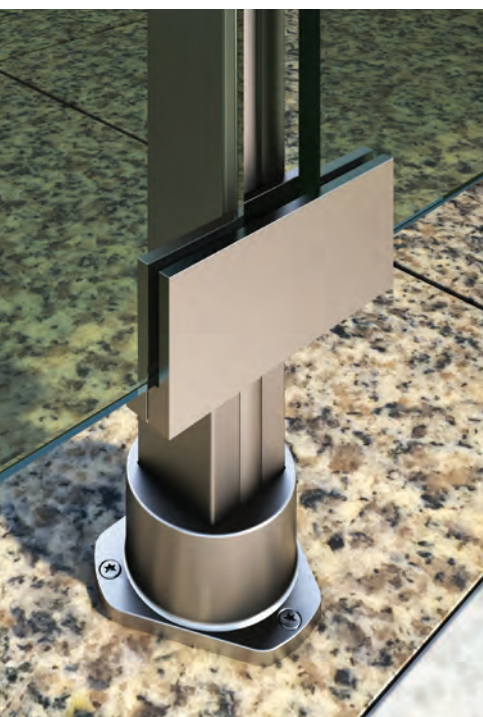
PR-8337





COMBI SYSTEM CL13

Glass Model Railing
System całoszklany
z poręczą



The Profiles and Accessories Shown in the System / Profile i akcesoria widoczne w systemie



AK-65001



AK-5141



AK-5121



AK-5020X



AK-5037



PR-2108



AK-65039Y



AK-5107



AK-5103



AK-5020NX



AK-5037-55



AK-5017



AK-65002



AK-5020K



AK-5008



AK-5003



AK-5020S



AK-5008YA



AK-5020E



AK-5162

Profile and Accessory Alternatives / Alternatywne profile i akcesoria

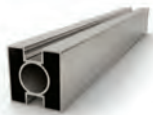


You can watch the installation video of this system on Youtube BTS System channel.
Możesz obejrzeć instruktaż montażu tego systemu na naszym kanale BTS System w serwisie YouTube.





BTS
RAILING Systems



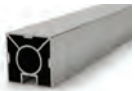
PR-5682



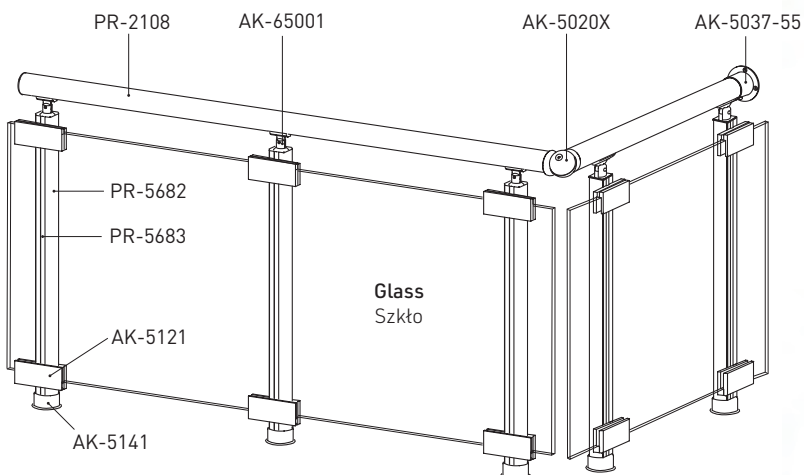
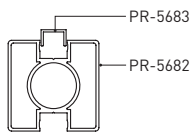
PR-5683



AK-5027K
ETA Certified



PR-8337





ROUND SYSTEM RL14

Glass Model Railing
System całoszklany
z poręczą



The Profiles and Accessories Shown in the System / Profile i akcesoria widoczne w systemie



AK-5001



AK-5062



AK-5089



AK-5096



AK-5035-26



AK-5020K



AK-5039Y



AK-5039N



AK-5039



AK-5066



AK-5036C



AK-5036X



AK-5186

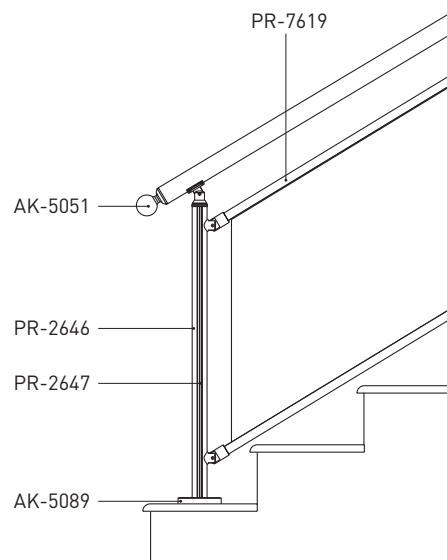


AK-5020X



AK-5162

Profile and Accessory Alternatives / Alternatywne profile i akcesoria





BTS RAILING Systems



AK-5051



PR-7619



PR-2108

Thickness / Grubość 2.5mm



PR-2646

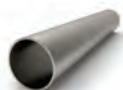
Thickness / Grubość 2.5mm



PR-2647



AK-5027K



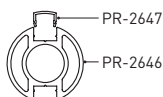
PR-3442

Thickness / Grubość 2mm



PR-5202

Thickness / Grubość 2mm



PR-2647

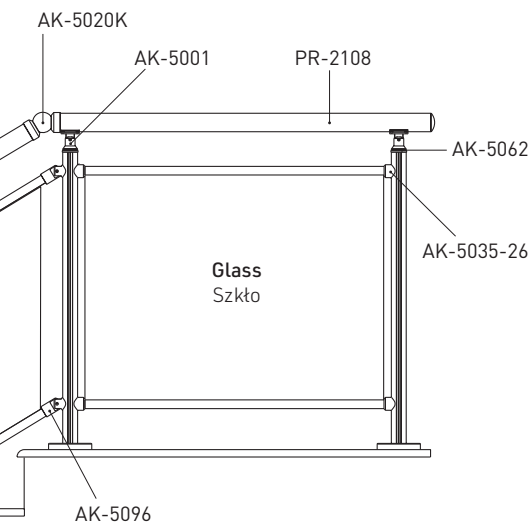
PR-2646



PR-6060



PR-5005



You can watch the installation video of this system on Youtube BTS System channel.
Możesz obejrzeć instrukcję montażu tego systemu na naszym kanale BTS System w serwisie YouTube.


























ROUND SYSTEM RL17

Horizontal Safety Line Railing

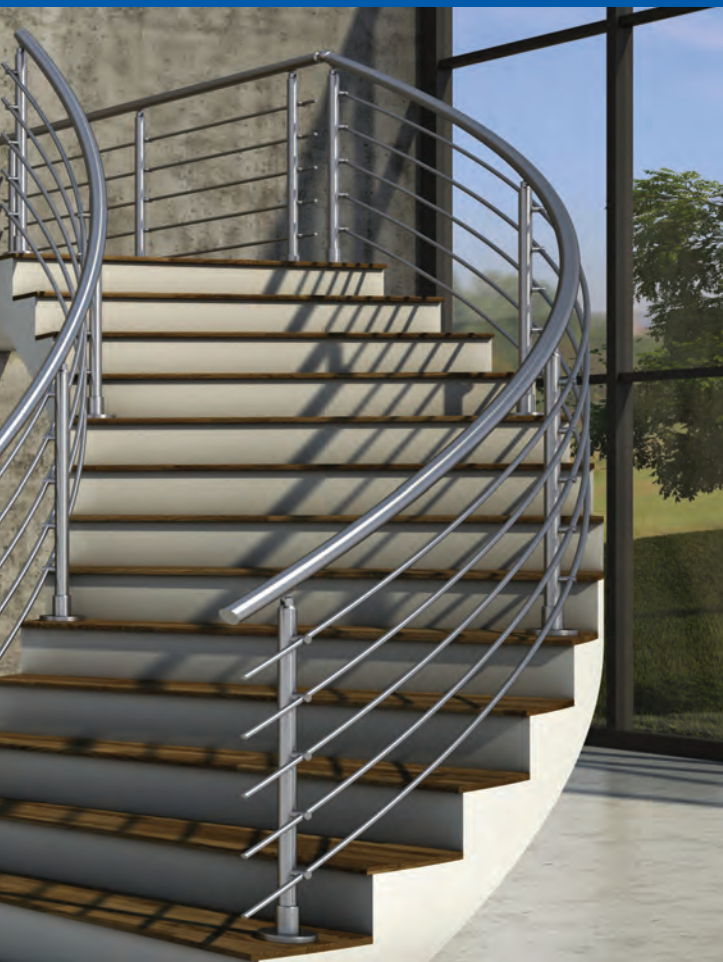
System balustrad poziomy



The Profiles and Accessories Shown in the System / Profile i akcesoria widoczne w systemie

 AK-5001	 AK-5036X	 AK-5011Y	 AK-5022Y	 AK-5020K	 AK-5009
 AK-5066	 AK-5186	 AK-5011	 AK-5020X	 AK-5009S	
 AK-5017	 AK-5002C	 AK-5011A	 AK-5162		
	 AK-5002S	 AK-5011E			
	 AK-5036C				
	 AK-5002				
	 AK-5089				
	 AK-5003				

Profile and Accessory Alternatives / Alternatywne profile i akcesoria



BTS RAILING Systems



AK-5027K



AK-5008YA



AK-5062



PR-2108
Thickness / Grubość 2.5mm



PR-2646
Thickness / Grubość 2.5mm



PR-2647



PR-1515



AK-5037



AK-5037-55



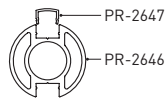
AK-5008



PR-3442
Thickness / Grubość 2 mm



PR-5202
Thickness / Grubość 2 mm



PR-2647

PR-2646



PR-5006



PR-6060



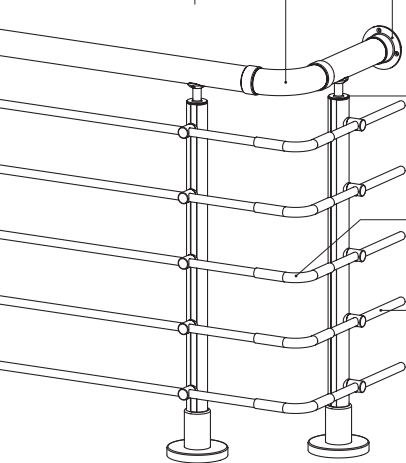
PR-5005

AK-5020E AK-5037

AK-5062

AK-5022A

PR-1515



You can watch the installation video of this system on Youtube BTS System channel.
Możesz obejrzeć instruktaż montażu tego systemu na naszym kanale BTS System w serwisie YouTube.





ROUND SYSTEM RL16

Wall Handrail Model
Poręcz ścienna

The Profiles and Accessories Shown in the System / Profile i akcesoria widoczne w systemie



AK-5032



AK-5019



AK-5091



AK-5101



AK-5009



AK-5020X



AK-5161
For 500 Handrail
Dla poręczy 500



AK-5157



AK-5163
For 400 Handrail
Dla poręczy 400

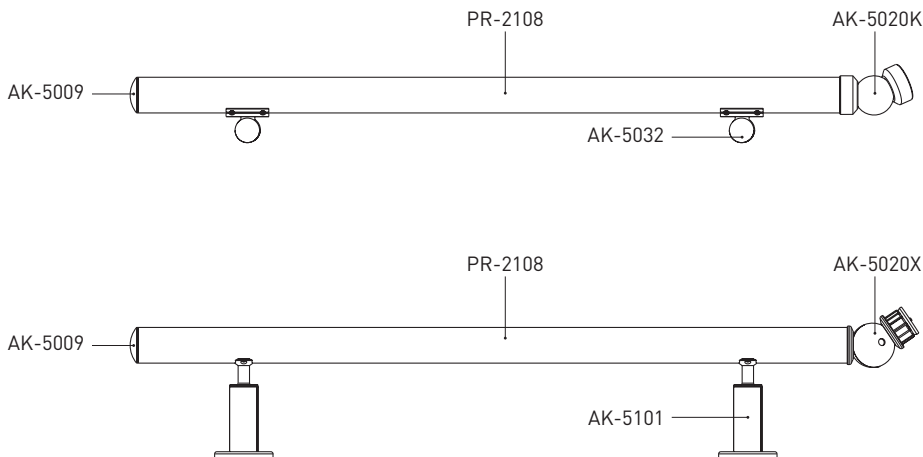
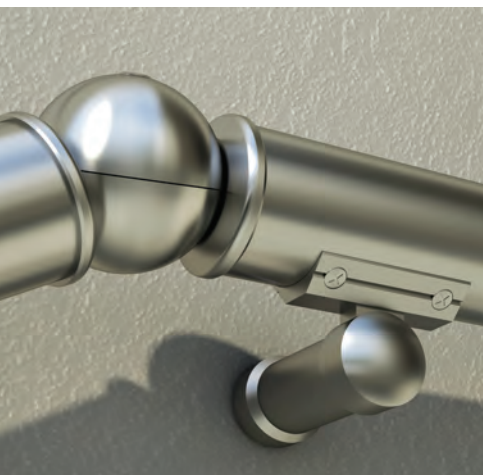


AK-5162



AK-5020K

Profile and Accessory Alternatives / Alternatywne profile i akcesoria





BTS
RAILING Systems



AK-5020K



PR-2108



AK-5027K



You can watch the installation video of this system on Youtube BTS System channel.
Możesz obejrzeć instruktaż montażu tego systemu na naszym kanale BTS System w serwisie YouTube.





COMBI SYSTEM CL12

Side Mount Railing
System balustrad
mocowany doczołowo



Profile and Accessory Alternatives / Alternatywne profile i akcesoria

The Profiles and Accessories Shown in the System / Profile i akcesoria widoczne w systemie



AK-65001



AK-65031U-15



AK-5120



AK-5022Y



AK-5020S



AK-5009



AK-65039Y



AK-65031U



AK-5011



AK-5022A



AK-5020K



AK-5009Y



AK-5017



AK-5020X



AK-5009S



AK-5020NX



AK-5020E



You can watch the installation video of this system on Youtube BTS System channel.
Możesz obejrzeć instruktaż montażu tego systemu na naszym kanale BTS System w serwisie YouTube.





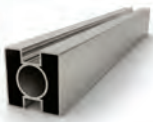
BTS
RAILING Systems



AK-5008



PR-2108
Thickness / Grubość 2.5mm



PR-5682



PR-5683



PR-1515



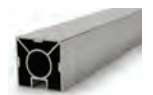
AK-5027K



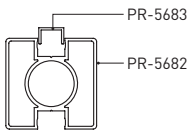
AK-5008YA



PR-3442
Thickness / Grubość 2 mm



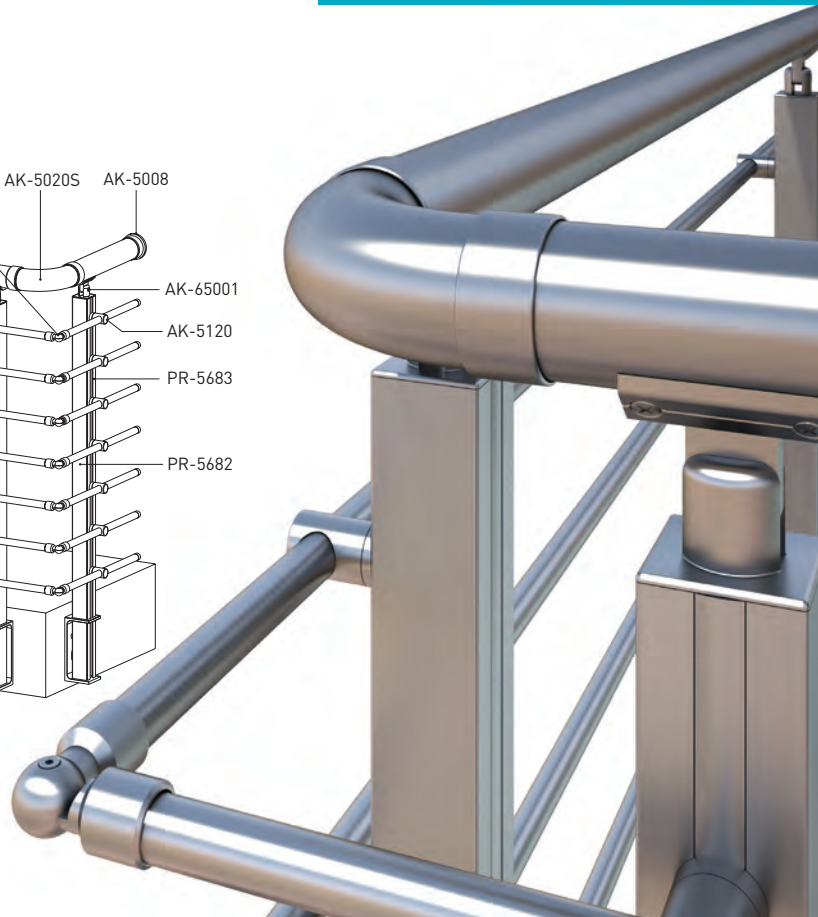
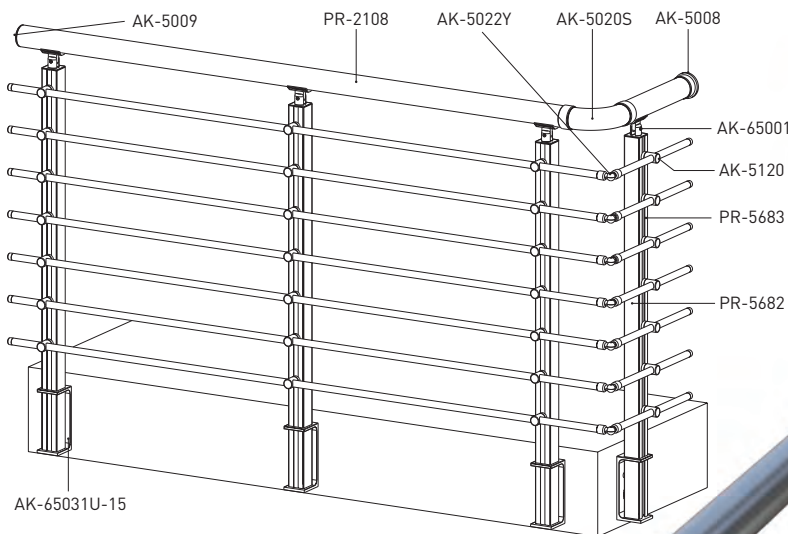
PR-8337



AK-5037



AK-5037-55





















ROUND SYSTEM RL15

Vertical Safety Line Railing

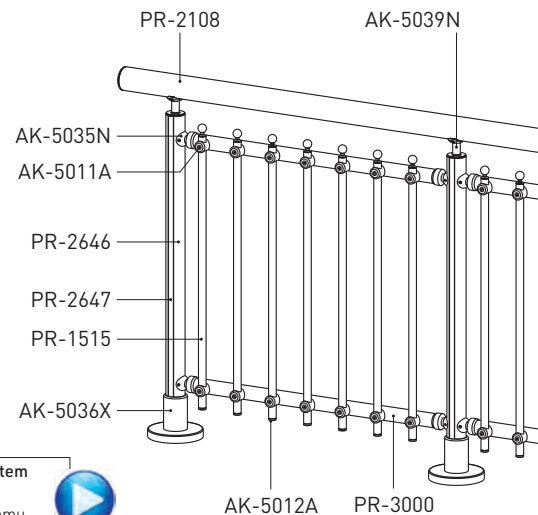
System balustrad pionowy



The Profiles and Accessories Shown in the System / Profile i akcesoria widoczne w systemie

					
AK-5039N	AK-5036X	AK-5035N	AK-5011A	AK-5051-16	AK-5012A
					
AK-5039Y	AK-5036C	AK-5035		AK-5051A-16	
					
AK-5039	AK-5089				
					
AK-5066	AK-5002				
					
	AK-5003				
					
	AK-5186				

Profile and Accessory Alternatives / Alternatywne profile i akcesoria



You can watch the installation video of this system on Youtube BTS System channel.
Możesz obejrzeć instruktaż montażu tego systemu na naszym kanale BTS System w serwisie YouTube.





BTS
RAILING Systems



AK-5020KM



AK-5008YA



AK-5062



PR-2108
Thickness / Grubość 2.5mm



PR-2646
Thickness / Grubość 2.5mm



PR-2647



PR-3000



PR-1515



AK-5027K



AK-5092



AK-5008



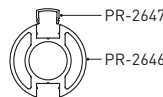
AK-5037



PR-3442
Thickness / Grubość 2 mm



PR-5202
Thickness / Grubość 2 mm



PR-2647

PR-2646



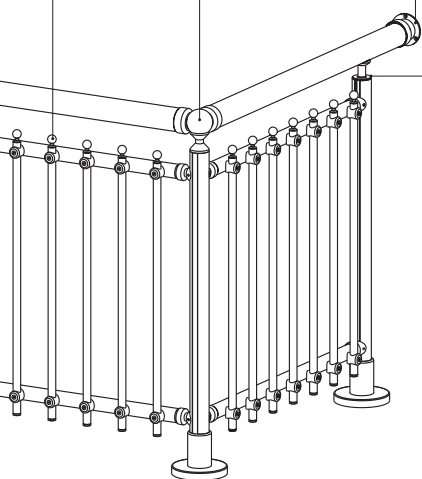
PR-5006

AK-5051-16

AK-5020KM

AK-5008YA

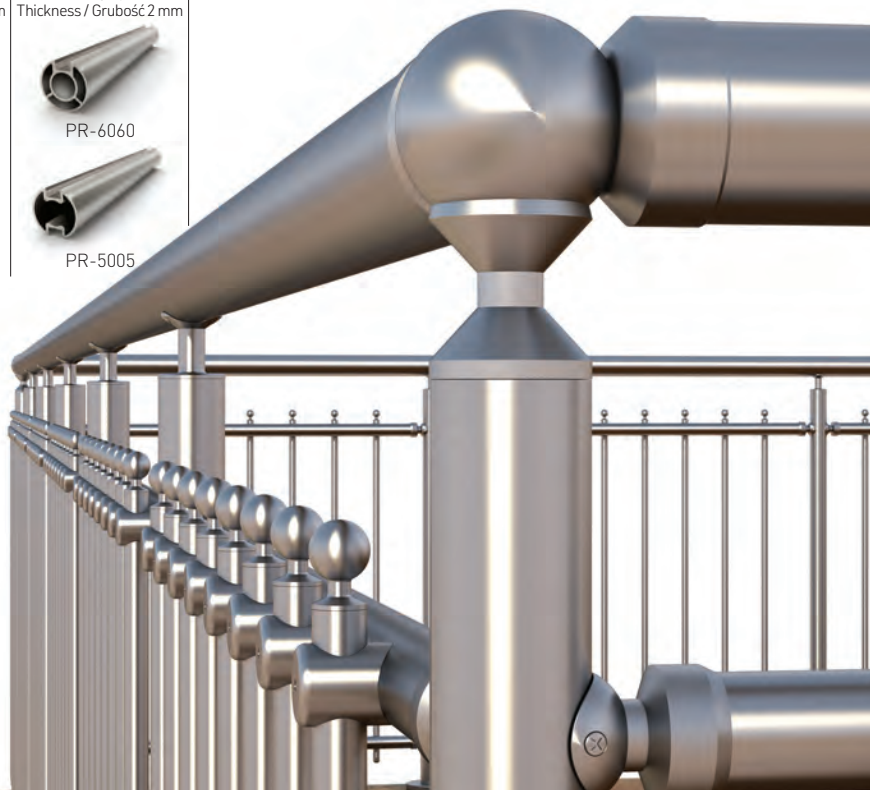
AK-5062



PR-6060



PR-5005





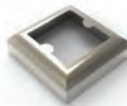
SQUARE SYSTEM SL13

Glass Model Railing
System całoszklany
z poręczą

The Profiles and Accessories Shown in the System / Profile i akcesoria widoczne w systemie



AK-5135



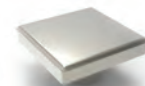
AK-5107



AK-5003



AK-5104



AK-5134



AK-5085

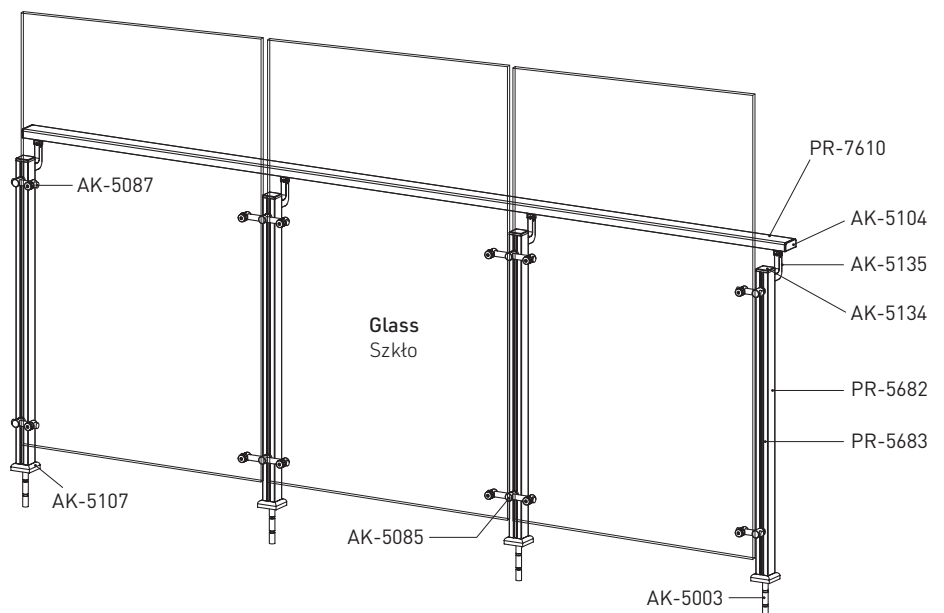


AK-65002



AK-5015A

Profile and Accessory Alternatives / Alternatywne profile i akcesoria





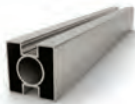
BTS
RAILING Systems



AK-5087



PR-7610



PR-5682



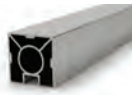
PR-5683



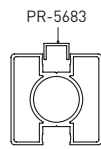
AK-5027K



AK-5016A



PR-8337



PR-5682



You can watch the installation video of this system on Youtube BTS System channel.

Możesz obejrzeć instruktaż montażu tego systemu na naszym kanale BTS System w serwisie YouTube.





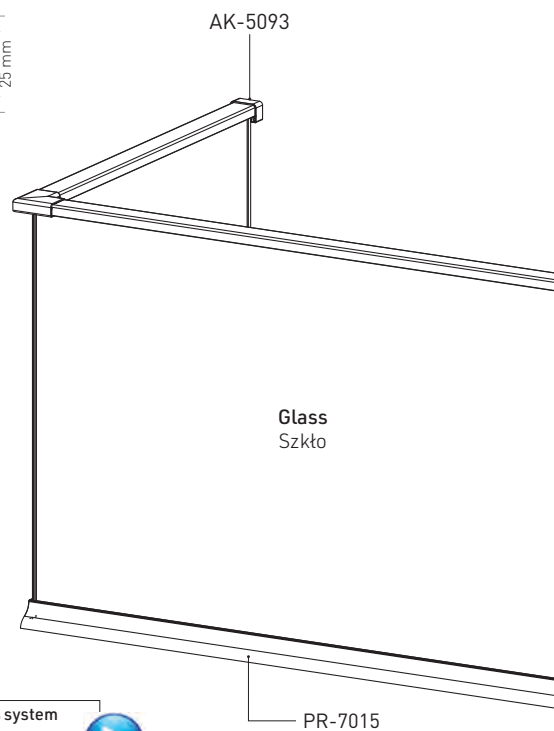
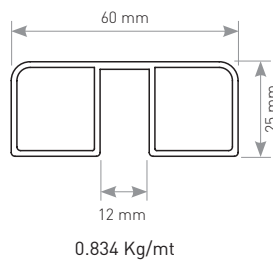
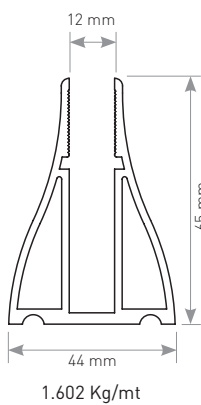
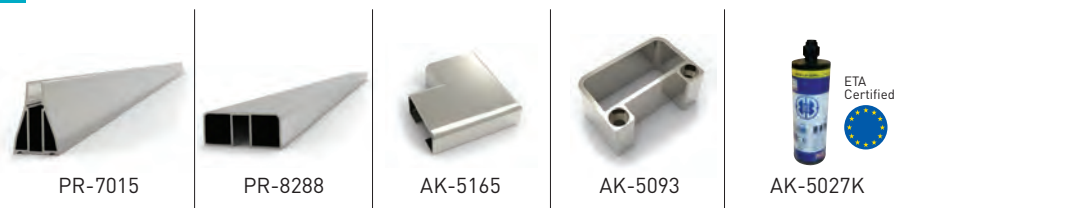
SQUARE SYSTEM SL17

Glass Model Railing
System całoszklany
z poręczą



Profile and Accessory Alternatives / Alternatywne profile i akcesoria

The Profiles and Accessories Shown in the System / Profile i akcesoria widoczne w systemie

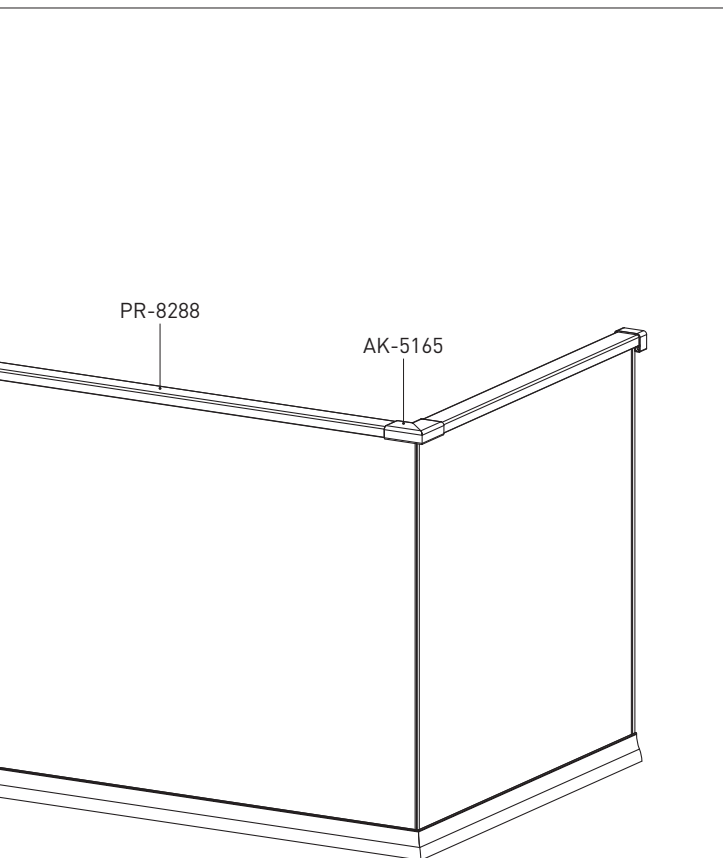


You can watch the installation video of this system on Youtube BTS System channel.
Możesz obejrzeć instruktaż montażu tego systemu na naszym kanale BTS System w serwisie YouTube.





BTS
RAILING Systems





ADJUSTABLE & STABLE HANDRAIL BRACKETS MOCOWANIA PORĘCZY STAŁYCH I REGULOWANYCH



x3
BTS-VP4219

AK-5001

Adjustable Connector of Column to Handrail
Łącznik regulowany poręczy okrągłej stoeżki



x2
BTS-VP4219

AK-5039Y

Stable Connector
Łącznik stały stoeżki



x3
BTS-VP4219

AK-5039N

Stable Connector for 400 Post - 500 Handrail
Łącznik płaski stępka 400 - poręczy 500



x3
BTS-VP4219

AK-65001

Adjustable Connector for 40X40 Post - 500 Handrail
Łącznik regulowany stępka 40x40 - poręczy 500



x3
BTS-VP4219

AK-65039Y

Stable Connector for 40X40 Post - 500 Handrail
Łącznik stały płaski stępka 40x40 - poręczy 500



x3
BTS-VP4219

AK-5125

Adjustable Connector for 40X40 Post - 60x25 Handrail
Łącznik regulowany stępka 40x40 - poręczy 60x25



x3
BTS-VP4219

AK-5126

Stable Connector for 40X40 Post - 60x25 Handrail
Łącznik stały stępka 40x40 - poręczy 60x25



x3
BTS-VP4219

AK-5128

Adjustable Connector for 400 - 60x25 Handrail
Łącznik regulowany poręczy 400 - 60x25



x2
BTS-VP4219

AK-5135

Adjustable L Type Connector for 60X25 Handrail
Łącznik regulowany poręczy 60x25 Typ L



x3
BTS-VP4219

AK-5137

Stable Connector for 25X50 Post 80X30 Handrail
Łącznik stały stępka 25x50 poręczy 80x30



x2
BTS-VP4219

AK-5066

Adjustable Connector for 400 Post 500 Handrail
Łącznik regulowany stępka 400 poręczy 500



x2
BTS-VP4219

AK-5067

Adjustable Bracket From Glass to 500 Handrail
Mocowanie regulowane szkła do poręczy 500



x3
BTS-VP4219

AK-5039

Stable Connector for 400 Post 500 Handrail
Łącznik stały stępka 400 poręczy 500



x3
BTS-VP4219

AK-5039L

Long Stable Connector for 400 Post 500 Handrail
Łącznik długi stępka 400 poręczy 500



x3
BTS-VP4219

AK-5039-40

Stable Connector for 400 Post 400 Handrail
Łącznik stały stępka 400 poręczy 400



x2
BTS-VP4238

AK-5038

Stable Connector for 500 Post 500 Handrail
Łącznik stały stępka 500 poręczy 500



x1
BTS-VP4219

AK-5002I

Decorative Stable Connector for 400 Post - 500
Łącznik dekoracyjny stępka okrągłego 400 - 500



x3
BTS-VP4219

AK-5052

Adjustable Connector for 500 Post - 500 Handrail
Łącznik regulowany stępka 500 - poręczy 500



x2
BTS-VP4219

AK-5017

Adjustable L Type Connector for 500 Handrail
Łącznik regulowany poręczy 500 Typ L



x3
BTS-VP4219

AK-3051

Adjustable Connector for 300 Post 500 Handrail
Łącznik regulowany stępka 300



x3
BTS-VP4219

AK-5001L

Adjustable Connector for Acrylic Plexiglass Post
Łącznik regulowany stępka ze szkła akrylowego



					
BTS-VT75100	BTS-VT75100	BTS-VT75100	BTS-VT75100		
AK-5186	AK-5036X	AK-5089	AK-5036C	AK-5107	AK-65002
External Type Base Flange Support for 400 Post Stopka montażowa zewnętrzna słupka 400	External Type Base Flange Support for 400 Post Stopka montażowa zewnętrzna słupka 400	Internal Type Base Flange Support for 400 Post Stopka montażowa wewnętrzna słupka 400	Base Flange Support for 400 Post Stopka montażowa słupka 400	40X40 Baluster Base Cover Rozeta maskująca 40x40	40X40 Baluster Base Cover Rozeta maskująca 40x40
					
				BTS-VT75100	BTS-VT75100
AK-5136	AK-5002	AK-5002S	AK-5002T	AK-5101	AK-5141
25X50 Baluster Base Cover Rozeta maskująca 25x50	400 Baluster Base Cover Rozeta maskująca 400	400 Baluster Base Cover Rozeta maskująca 400	400 Flange for Single Canal Column Stopka pojedynczej kolumny 400	Ready Base Flange for 500 Handrail Stopka poręczy 500	Base Flange Support for 40X40 Post Stopka słupka 40x40
					
	BTS-VS4540	BTS-VS4540	BTS-VS4540	BTS-VS4540	BTS-VS4540
AK-5002C	AK-5008	AK-5008YA	AK-5159	AK-5036	AK-5036-35
Decorative 400 Base Cover Rozeta dekoracyjna 400	Wall & Ground Flange 500 Uchwyt do ściany i podłoża 500	Adjustable Wall Flange 500 Regulowany uchwyt do ściany 500	Adjustable Wall Flange 400 Regulowany uchwyt do ściany 400	400 Wall & Ground Flange Uchwyt do ściany i podłoża 400	400 Wall & Ground Flange Long Type Długi uchwyt do ściany i podłoża 400
					
	BTS-VS4540	BTS-VS4540			BTS-VS4540
AK-5036A	AK-5037	AK-5037-55	AK-5037A	AK-5189	AK-5040
Cover for AK-5036 Ostona do uchwytu AK-5036	500 Wall & Ground Flange Uchwyt do ściany i podłoża 500	500 Wall & Ground Flange Long Type Długi uchwyt do ściany i podłoża 500	Cover for AK-5037 Ostona do uchwytu AK-5037	600 Wall & Ground Flange Uchwyt do ściany i podłoża 600	160 Wall & Ground Flange Uchwyt do ściany i podłoża 160
					
BTS-VS4540	BTS-VS4540				
AK-5093	AK-5094	AK-64218	AK-5008B	AK-5008C	AK-5002B
Wall Flange for 25X60 Handrail Uchwyt do ściany poręczy 25x60	Wall Flange for 30X80 Handrail Uchwyt do ściany poręczy 30x80	Grand Base Cover for 80X80 Post Profile Ostona do profilu słupka 80x80	400 Ground Flange Uchwyt do podłoża 400	300 Ground Flange Uchwyt do podłoża 300	Angled Cuttable Stair Flange Łącznik profilu słupka 90°-160
					
			BTS-VS4540		
AK-5008U	AK-5002-75	AK-3052	AK-3063	AK-3063A	AK-5002L
Angled Cuttable Wall Flange Uchwyt kątowy do ściany	750 System Decorative Base Cover Ostona dekoracyjna 750	300 System Flange Stopka 300	300 Wall & Ground Flange Uchwyt do ściany i podłoża 300	Cover for AK-5063 Ostona do uchwytu AK-5063	Base Flange for Acrylic Plexiglass Ostona do szkła akrylowego



AK-5020X

Clamping Corner for 500 Handrail
Łącznik poręczy kątowny 500



AK-5020NX

Welded Flush Angle for 500 Handrail
Łącznik poręczy kątowny 500



AK-5162

Adjustable 500 Ball Corner
Łącznik kątowny regulowany 500



AK-5020K

Adjustable 500 Ball Corner
Łącznik kątowny regulowany 500



AK-5020S

90° Angle Flush Angle with Coupler
Łącznik kątowny 90°



AK-5020SA

135° Angle Flush Angle with Coupler
Łącznik kątowny 135°



AK-5020E

90° Angle Empty Corner with Adapter
Łącznik kątowny z rozgątkowaniem 90°



AK-5020AE

135° Angle Empty Corner with Adapter
Łącznik kątowny z rozgątkowaniem 135°



AK-5020K-40

Adjustable 400 Ball Corner
Łącznik kątowny regulowany 400



AK-5020NX-40

Welded Flush Angle for 400 Handrail
Łącznik kątowny poręczy 400



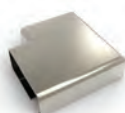
AK-5164

Adjustable 400 Ball Corner
Łącznik kątowny regulowany 400



AK-5020K-30

Adjustable 300 Ball Corner
Łącznik kątowny regulowany 300



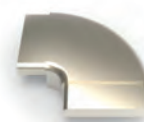
AK-5138

Welded Flush Angle for 30X80 Handrail
Łącznik kątowny poręczy 30x80



AK-5165

Welded Flush Angle for 25X60 Handrail
Łącznik kątowny poręczy 25x60



AK-5109

90° Solid Corner Connector for 25X60 Handrail
Łącznik kątowny 90° poręczy 25x60



AK-5110

135° Solid Corner Connector for 26X60 Handrail
Łącznik kątowny 135° poręczy 26x60



AK-5139

Adjustable Post Connection Corner for 25X60 Handrail
Regulowany łącznik kątowny poręczy 25x60



AK-5092

Welded Flush Angle with Connector to Post
Łącznik kątowny z mocowaniem do słupka



AK-5020KM

Adjustable Connector of 2 Handrail and Post
Podwójny łącznik regulowany do poręczy i słupka



AK-5022A

90° - 160 Safety Bar Corner
Łącznik profilu



AK-5022B

135° - 160 Safety Bar Corner
Łącznik profilu



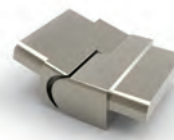
AK-5022Y

Adjustable Flush Angle for 17X17 Safety Bar
Regulowany łącznik listwy zabezpieczającej 160



AK-5129

Adjustable Corner for 25X60 Handrail
Regulowany łącznik kątowny poręczy 25x60



AK-5099

Adjustable Up&Down Corner for 25X60 Handrail
Regulowany łącznik kątowny poręczy 25x60



AK-5100

Full Adjustable Corner for 25X60 Handrail
Regulowany łącznik kątowny poręczy 25x60



AK-5108

Full Adjustable Post Connection Corner for 25X60 Handrail
Regulowany łącznik kątowny poręczy 25x60



AK-5130

Adjustable Corner for 17X17 Safety Bar
Regulowany łącznik kątowny listwy zabezpieczającej 17x17



AK-5020Y

Adjustable Corner
Regulowany łącznik kątowny



AK-5020

90° Angle Solid Corner
Łącznik narożny 90°



AK-5020A

135° Angle Solid Corner
Łącznik narożny 135°



AK-5020B

90° - 400 Solid Corner
Łącznik narożny 90°-400



AK-5009

500 Handrail Finish Endcap
Zaślepka do poręczy 500



AK-5009EL

2 mm Thickness 500 Handrail
Finish Endcap
Zaślepka do poręczy 500 (2mm)



AK-5009Y

External Endcap for 500 Handrail
Zaślepka zewnętrzna do poręczy 500



AK-5009S

Internal Endcap for 500 Handrail
Zaślepka wewnętrzna do poręczy
500



AK-5190

External Endcap for 600 Handrail
Zaślepka zewnętrzna do poręczy 600



AK-5012

Endcap for 160 Solid Safety Bar
Zaślepka listwy zabezpieczającej 160



AK-5012A

Endcap for 160 Safety Bar
Zaślepka listwy zabezpieczającej 160



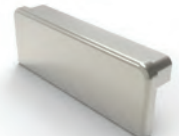
AK-5012Y

External Endcap for 160 Safety Bar
Zaślepka zewnętrzna listwy
zabezpieczającej 160



AK-5104

Endcap for 25x60 Handrail
Zaślepka poręczy 25x60



AK-5142

Endcap for 30x80 Handrail
Zaślepka poręczy 30x80



AK-5144

Right & Left Endcap for PR-7589
Transom Profile
Zaślepka profilu słupka PR-7589
prawa i lewa



AK-5145

Right & Left Endcap for PR-7592
Transom Profile
Zaślepka profilu słupka PR-7592
prawa i lewa



AK-5132

Endcap for 17x17 Safety Bar
Zaślepka listwy zabezpieczającej
17x17



AK-5013

Endcap for 400 Tube
Zaślepka pochwyty 400



AK-5013A

Plain Endcap for 400 Tube
Płaska zaślepka pochwyty 400



AK-5013S

Endcap for 400 Tube
Zaślepka pochwyty 400



AK-5058

Plastic Cap for Vertical
160 Safety Bar
Zaślepka plastikowa do pionowej
listwy zabezpieczającej 160



AK-5058A

Cap For Vertical 160 Safety Bar
Zaślepka do pionowej listwy
zabezpieczającej 160



AK-3062

Endcap for 300 Tube
Zaślepka pochwyty 300



AK-3062Y

External Endcap for 300 Tube
Zaślepka zewnętrzna pochwyty 300



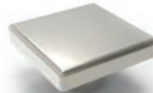
AK-5062

Over Post Cap For 400 Post
Nasadka do słupka 400



AK-5117

Endcap For 300 Transom Profile
Zaślepka profilu słupka 300



AK-5134

Cap For 40x40 Post
Zaślepka do słupka 40x40



AK-5154

Endcap For 260 Tube
Zaślepka pochwyty 260





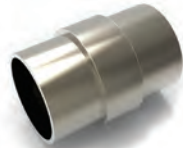
PROFILE COUPLERS & CROSSBAR HOLDERS

ZŁĄCZKI DO PROFILI, UCHWYTY POPRZECZNE



AK-5007

External Coupler for 500 Tube
Zewnętrzna złączka do pochwytu 500



AK-5007NX

Internal Coupler for 500 Tube
Wewnętrzna złączka do profilu 500



AK-5007A

Long External Coupler for 500 Tube
Zewnętrzna złączka długa do profilu 500



AK-5007X

Clamping Coupler for 500 Handrail
Złączka do poręczy 500 z mocowaniem



AK-5007-40

Coupler for 400 Tube
Złączka do pochwytu 400



AK-5007NX-40

Internal Coupler for 400 Tube
Wewnętrzna złączka do pochwytu 400



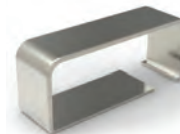
AK-5007-30

Coupler for 300 Tube
Złączka do pochwytu 300



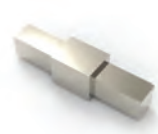
AK-5111

External Coupler for 25X60 Handrail
Zewnętrzna złączka do poręczy 25x60



AK-5158

External Coupler for 30X80 Handrail
Zewnętrzna złączka do poręczy 30x80



AK-64127A

Coupler for 17x17 Safety Bar
Złączka do listwy zabezpieczającej 17x17



x1
BTS-VP4238

AK-5011

Crossbar Holder for 160 Safety Bar
Uchwyt poprzeczny listwy zabezpieczającej 160



x1
BTS-VP4238

AK-5011A

Crossbar Holder for 160 Safety Bar
Uchwyt poprzeczny listwy zabezpieczającej 160



x1
BTS-VP4238

AK-5011E

Crossbar Holder for 160 Safety Bar
Uchwyt poprzeczny listwy zabezpieczającej 160



x1
BTS-VP4238

AK-5011Y

Adjustable Crossbar Holder for 160 Safety Bar
Regulowany uchwyt poprzeczny listwy zabezpieczającej 160



x1
BTS-VP4238

AK-5069

Adjustable Crossbar Holder for 400 to 17X17 Safety Bar
Regulowany uchwyt poprzeczny listwy zabezpieczającej 400 - 17x17



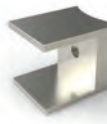
AK-5080

Adjustable Crossbar Holder Bar to Bar
Regulowany uchwyt poprzeczny



AK-5081

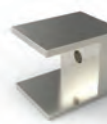
Glass Adapter For Tube 160
Uchwyt do szkła do pochwytu 160



x1
BTS-VP4238

AK-5118

17X17 Crossbar Holder Fits on 400 Post
Uchwyt poprzeczny 17x17 (pasujący do słupka 400)



x1
BTS-VP4238

AK-5119

17X17 Crossbar Holder Fits On Square Post
Uchwyt poprzeczny 17x17 (pasujący do słupka czworokątnego)



x1
BTS-VP4219

AK-5120

Adjustable Crossbar Holder for Square Post
Regulowany uchwyt poprzeczny do słupka czworokątnego



x1
BTS-VP4238

AK-5070

Adjustable Crossbar Holder for 17X17 Safety Bar
Regulowany uchwyt poprzeczny do listwy zabezpieczającej 17x17



x1
BTS-VP4238

AK-5155

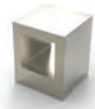
Adjustable Crossbar Holder for 260 Safety Bar (Square Post)
Regulowany uchwyt poprzeczny do listwy zabezpieczającej 260 (słupek czworokątny)



x1
BTS-VP4238

AK-5156

Adjustable Crossbar Holder for 260 Safety Bar (Round Post)
Regulowany uchwyt poprzeczny do listwy zabezpieczającej 260 (słupek okrągły)



x1
BTS-VP4238

AK-5131

Crossbar Holder for 17X17 Safety Bar
Uchwyt poprzeczny do listwy zabezpieczającej 17x17



AK-5082

Glass Adapter For 17X17 Safety Bar
Uchwyt do szkła listwy zabezpieczającej 17x17



AK-5022

Connection Coupler for 160 Safety Bar
Złączka do listwy zabezpieczającej 160



AK-5059

500 Ceiling & Wall Connection
Uchwyt montażowy do sufitu i ściany 500



AK-5059-40

400 Ceiling & Wall Connection
Uchwyt montażowy do sufitu i ściany 400



AK-5059-30

300 Ceiling & Wall Connection
Uchwyt montażowy do sufitu i ściany 300



AK-5059-16

160 Ceiling & Wall Connection
Uchwyt montażowy do sufitu i ściany 160



AK-163

Decorative Holder For 160 Tube
Uchwyt dekoracyjny do pochwytu 160



AK-164

Decorative Holder For 160 Tube
Uchwyt dekoracyjny do pochwytu 160





PROFILE-BAR-TUBE CONNECTORS / ŁĄCZNIKI PROFILI



x3
BTS-VP4219

AK-5035N

Connection From 400 Post to 300 Tube
Złączka do słupka 400 z pochwytem 300



x2
BTS-VP4238

AK-5035

Connection From 400 Post to 300 Tube
Złączka do słupka 400 z pochwytem 300



x1
BTS-VP4238

AK-5035-30

Connection From 300 Post to 300 Tube
Złączka do słupka 300 z pochwytem 300



x1
BTS-VP4238

AK-5035-40

Connection From 400 Post to 400 Tube
Złączka do słupka 400 z pochwytem 400



x1
BTS-VP4838

AK-5096

Adjustable Connector from 400 Post to 260 Tube
Regulowana złączka słupka 400 z pochwytem 260



x1
BTS-VP4838

AK-5097

Adjustable Connector from 40x40 Post to 260 Tube
Regulowana złączka słupka 40x40 z pochwytem 260



x1
BTS-VP4838

AK-5123

Adjustable Connector from 400 Post to 300 Tube
Regulowana złączka słupka 400 z pochwytem 300



x1
BTS-VP4838

AK-5124

Adjustable Connector from 40x40 Post to 300 Tube
Regulowana złączka słupka 40x40 z pochwytem 300



x1
BTS-VP4838

AK-5160

Adjustable Connector from 400 Round Post to 400 Tube
Regulowana złączka słupka okrągłego 400 z pochwytem 400



x1
BTS-VP4238

AK-5115

Connection for 30X30 Transom Profile to Square Post
Złączka profilu słupka 30x30 ze słupkiem czworokątnym



x2
BTS-VP4838

AK-5133

Connection for 22x25 Transom Profile to Square Post
Złączka profilu słupka 22x25 ze słupkiem czworokątnym



x1
BTS-VP4238

AK-5068

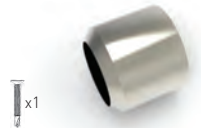
Connection From 400 Post to 160 Safety Bar
Złączka słupka 400 z listwą zabezpieczającą 160



x3
BTS-VP4219

AK-5088

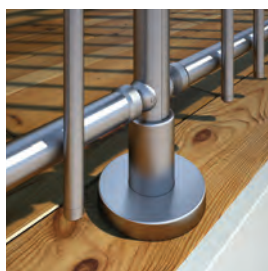
Adjustable Connection for 30X30 Transom Profile to Square Post
Regulowana złączka profilu słupka 30x30 ze słupkiem czworokątnym



x1
BTS-VP4219

AK-5095

Connector From 40x40 Square Post to 260 Bar
Złączka słupka czworokątnego 40x40 z pochwytem 260



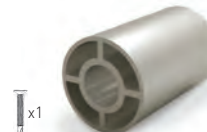
INTERNAL CONNECTORS / ZŁĄCZKI WEWNĘTRZNE



x2
BTS-VP4238

AK-5021

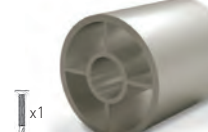
Internal Connector for Tube & Corner
Złączka wewnętrzna pochwyty i narożnika



x1
BTS-VP4825

AK-5021A

Internal Connector of 500 Tube
Złączka wewnętrzna pochwyty 500



x1
BTS-VP4825

AK-5021A-75

Internal Connector of 750 Tube
Złączka wewnętrzna pochwyty 750



x2
BTS-VP4838

AK-5102

Internal Connector for 60X25 Handrail
Złączka wewnętrzna poręczy 40x40



Internal Connector for 80X80 Post
Złączka wewnętrzna słupka 80x80



AK-5031U

Side Fix 400 Baluster Bracket
Mocowanie doczołowe ścienne 400



AK-5187

Heavy Duty Side Fix 400
Baluster Bracket
Mocowanie doczołowe
wzmocnione ścienne 400



AK-65031U

Side Fix 40x40 Baluster Bracket
Mocowanie doczołowe ścienne
40x40



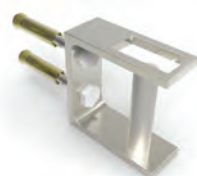
AK-65031U-15

Side Fix 40x40
Baluster Bracket 15 cm
Mocowanie doczołowe ścienne
40x40 15 cm



AK-5031U-15

Side Fix 400
Baluster Bracket 15 cm
Mocowanie doczołowe ścienne
400 15 cm



AK-5140

Side Fix 25x50 Baluster Bracket
Mocowanie doczołowe ścienne
25x50



AK-5113

Side Fix 40x50 Baluster Bracket
Mocowanie doczołowe ścienne
40x50



BTS-VP4219
x2

AK-5032

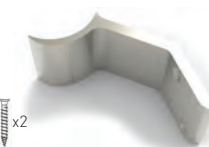
Wall Connection Bracket
for 500 Tube
Mocowanie ścienne pochwyty 500



BTS-VS4540
x2

AK-5019

L Type Wall Connection Bracket
for 500 Tube
Mocowanie ścienne pochwyty
500 Typ L



BTS-VS4540
x2

AK-5157

L Type Wall Connection Bracket
for 500 Tube
Mocowanie ścienne pochwyty
500 Typ L



BTS-VS4540
x3

AK-5091

Adjustable Bracket for 500
Wall Mount
Regulowane mocowanie
ścienne 500



BTS-VS4540
x3

AK-5161

Wall Bracket for 500 Handrail
Mocowanie ścienne poręczy
500



BTS-VS4540
x3

AK-5163

Wall Bracket for 400 Handrail
Mocowanie ścienne poręczy
400



AK-5030

Single Sided Side Mount Cover
Ostonka jednostronna



AK-5031

Double Sided Side Mount Cover
Ostonka dwustronna



AK-5018

Washer
Uszczelka

DECORATIVE CAPS / ZAŚLEPKI DEKORACYJNE



AK-5051

Decorative Cap 500
Zaślepka dekoracyjna 500



AK-5051-40

Decorative Cap 400
Zaślepka dekoracyjna 400



AK-75

Decorative Cap 750
Zaślepka dekoracyjna 750



AK-5051-16

Decorative Cap 160
Zaślepka dekoracyjna 160



AK-5051A-16

Decorative Cap 160
Zaślepka dekoracyjna 160



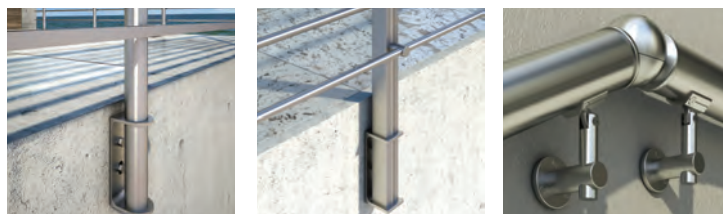
AK-5112

Decorative Cap for 40x40 Post
Zaślepka dekoracyjna słupka 40x40



AK-64300

Decorative Cap for 80x80 Post
Zaślepka dekoracyjna słupka 80x80





DECORATIVE POST ACCESSORIES / ELEMENTY DEKORACYJNE TRALKI



AK-16A

Decorative Vertical 160 Bar
Tralka ozdobna



AK-40A

Decorative Column Accessory
Element ozdobny tralki



AK-5002A

Decorative Column Accessory
Element ozdobny tralki



AK-5002D

Decorative Column Accessory
Element ozdobny tralki



AK-5002F

Decorative Column Accessory
Element ozdobny tralki



AK-5002G

Decorative Column Accessory
Element ozdobny tralki



AK-5002H

Decorative Column Accessory
Element ozdobny tralki

ANCHORAGE IRONS FOR TOP MOUNT / KOTWY MONTAŻOWE STALOWE



AK-5003

25 cm Anchorage Iron
Stalowa kotwa montażowa 25cm



AK-5003E

21 cm Anchorage Iron
Stalowa kotwa montażowa 21cm



AK-5003A

Anchorage Iron with Screw
Stalowa kotwa montażowa z wkrętem



AK-5029

Anchorage Iron for Side Mountings
Stalowa kotwa montażowa



AK-5003D

Threaded Anchorage Iron
for Lux System
Gwintowana stalowa kotwa
montażowa Systemu Lux



AK-5003-40

40 cm Anchorage Iron
Stalowa kotwa montażowa 40cm



AK-3054

Anchorage Iron for 300 System
Stalowa kotwa montażowa 300



ETA Certified
ETA Sertifikat

AK-5027K

BTS Chemical Anchor
Kotwa chemiczna BTS

HINGES & LOCKS / ZAWIASY I ZAMKI



x6
BTS-VP4219

AK-5060

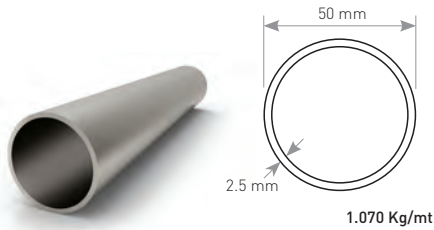
Railing & Door Combination Lock
Zamek do balustrad i drzwi



x4
BTS-VP4219

AK-5061

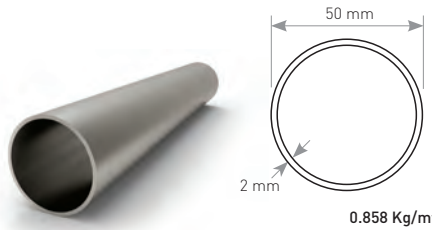
Railing & Door Combination Hinge
Zawias do balustrad i drzwi



PR-2108

50Ø Handrail 2.5 mm
Poręcz 50Ø 2.5 mm

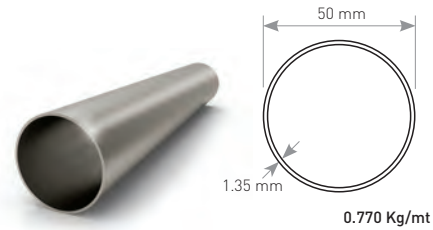
1.070 Kg/mt



PR-3442

50Ø Handrail 2 mm
Poręcz 50Ø 2 mm

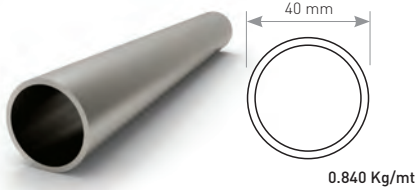
0.858 Kg/mt



PR-5265

50Ø Handrail 1.35 mm
Poręcz 50Ø 1.35 mm

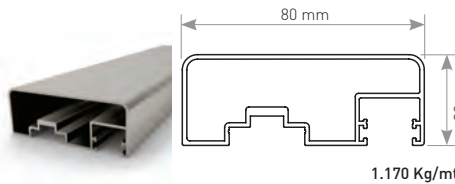
0.770 Kg/mt



PR-4000

40Ø Profil
Profil 40Ø

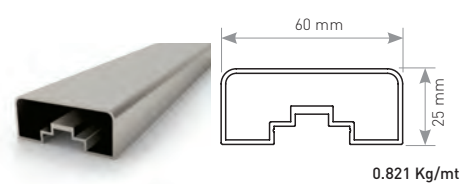
0.840 Kg/mt



PR-7590

80x30 Handrail with Glass Insert
Poręcz 80x30 ze szklaną wkładką

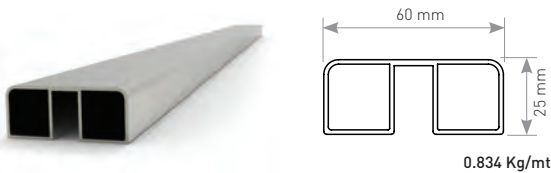
1.170 Kg/mt



PR-7610

60x25 Handrail
Poręcz 60x25

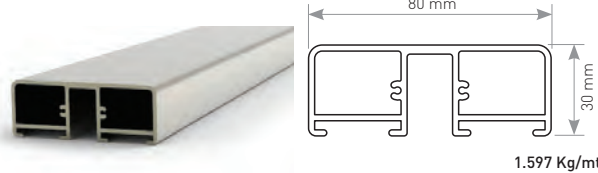
0.821 Kg/mt



PR-8288

60x25 Handrail with Glass Insert
Poręcz 60x25 ze szklaną wkładką

0.834 Kg/mt

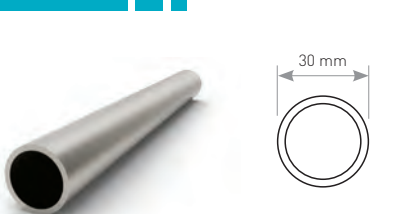


PR-7116

80x30 Handrail with Glass Insert
Poręcz 80x30 ze szklaną wkładką

1.597 Kg/mt

ROUND & SQUARE TRANSOM PROFILES / PROFILE SŁUPKÓW OKRĄGLYCH I CZWOROKĄTNYCH



PR-3000

30Ø Tube
Pochwył 30Ø

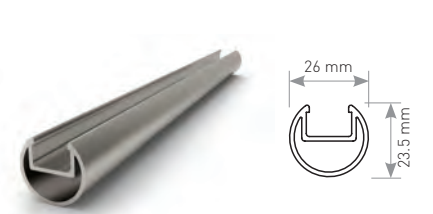
0.615 Kg/mt



PR-3000D

30Ø Drilled Hole-Ready Profile
Profil 30Ø z gotowymi otworami

0.600 Kg/mt



PR-7619

26Ø Transom Profile for Glass
Profil słupka 26Ø do montażu szyby

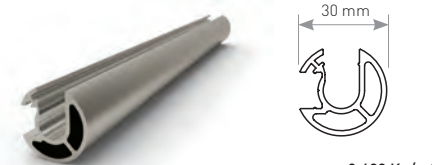
0.424 Kg/mt



PR-3879

26Ø Tube
Pochwył 26Ø

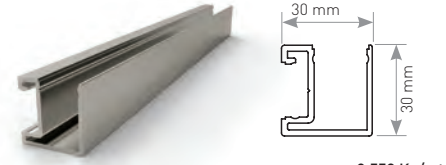
0.212 Kg/mt



PR-7369

30Ø Double Canal Profile
Profil podwójny 30Ø

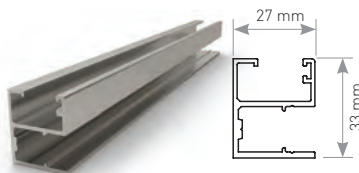
0.600 Kg/mt



PR-6862

30X30 Transom Profile
Profil słupka 30x30

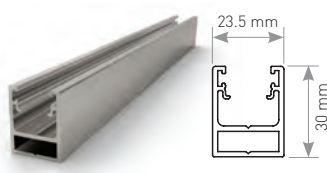
0.553 Kg/mt



PR-7589

27x32 Transom Profile
Profil słupka 27x32

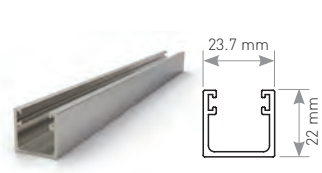
0.558 Kg/mt



PR-7592

23X30 Base Mount Transom Profile
Profil słupka 23x30

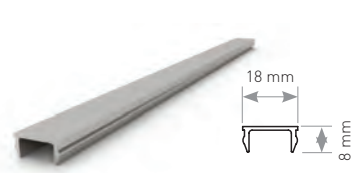
0.582 Kg/mt



PR-7609

22X24 Glass Support Profile Between Posts
Profil do wsparcia szyby między słupkami 22x24

0.369 Kg/mt



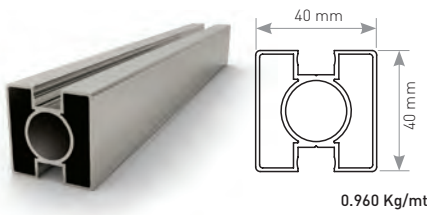
PR-4228

Cover for PR-6862
Ostonka profilu słupka PR-6862

0.123 Kg/mt



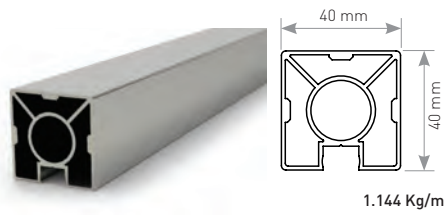
ROUND & SQUARE POST PROFILES / PROFILE SŁUPKÓW OKRĄGŁYCH I CZWOROKĄTNYCH



0.960 Kg/mt

PR-5682

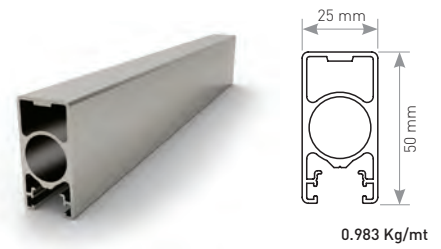
40x40 Square Post
Słupek czworokątny 40x40



1.144 Kg/mt

PR-8337

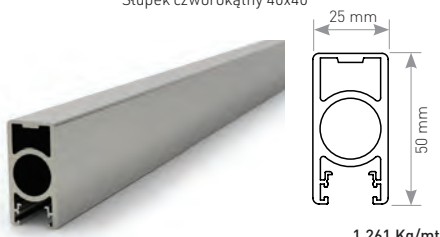
40x40 Single Channel Square Post
Jednakanalowy słupek czworokątny 40x40



0.983 Kg/mt

PR-7587

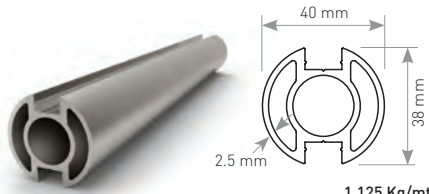
25x50 Rectangle Post
Słupek prostokątny 25x50



1.261 Kg/mt

PR-8385

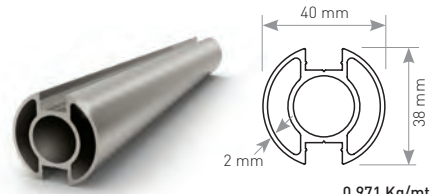
Heavy Duty 25x50 Rectangular Post
Słupek prostokątny wzmocniony 25x50



1.125 Kg/mt

PR-2646

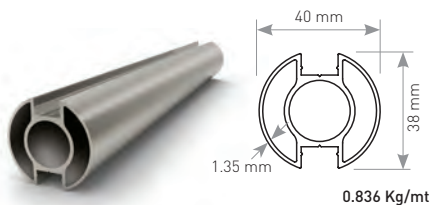
40Ø Dikme Profil
Profil słupka 40Ø



0.971 Kg/mt

PR-4566

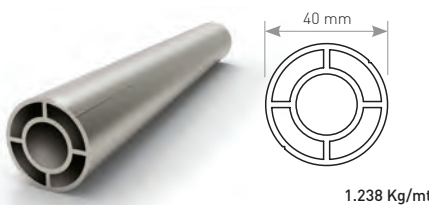
40Ø Dikme Profil
Profil słupka 40Ø



0.836 Kg/mt

PR-5202

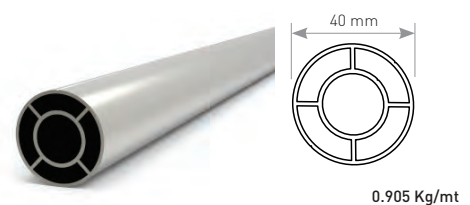
40Ø Dikme Profil
Profil słupka 40Ø



1.238 Kg/mt

PR-5955

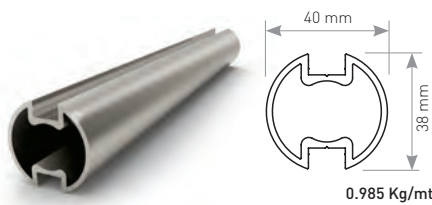
40Ø Kanalsız Dikme Profil
Profil słupka 40Ø bez kanatowy



0.905 Kg/mt

PR-8301

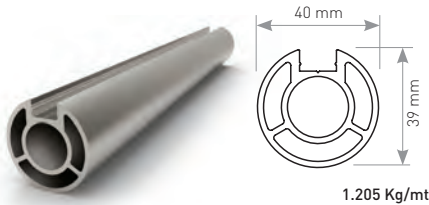
40Ø Kanalsız Dikme Profil
Profil słupka 40Ø bez kanatowy



0.985 Kg/mt

PR-5005

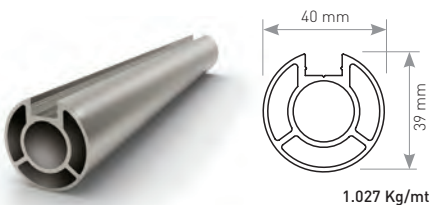
40Ø Dikme Profil
Profil słupka 40Ø



1.205 Kg/mt

PR-3874

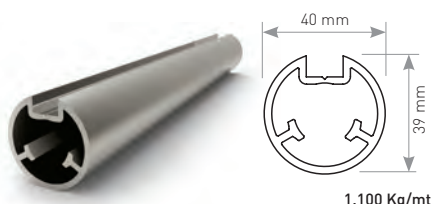
40Ø Dikme Profil
Profil słupka 40Ø



1.027 Kg/mt

PR-6060

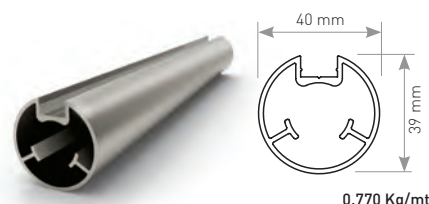
40Ø Dikme Profil
Profil słupka 40Ø



1.100 Kg/mt

PR-5005T

40Ø Dikme Profil
Profil słupka 40Ø



0.770 Kg/mt

PR-5373

40Ø Dikme Profil
Profil słupka 40Ø



0.090 Kg/mt

PR-2647

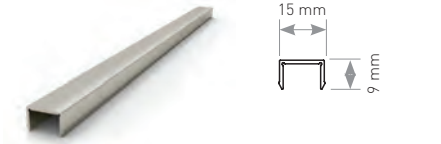
Cover for All Post Profiles
Ostonka do wszystkich profili słupka



0.090 Kg/mt

PR-5683

Cover for All Post Profiles
Ostonka do wszystkich profili słupka



0.102 Kg/mt

PR-7588

Cover for PR-7587
Ostonka do prostokątnego słupka PR-7587



0.280 Kg/mt

PR-1515

16Ø Safety Bar
Listwa zabezpieczająca 16Ø



0.510 Kg/mt

PR-5006

16Ø Safety Bar
Listwa zabezpieczająca 16Ø

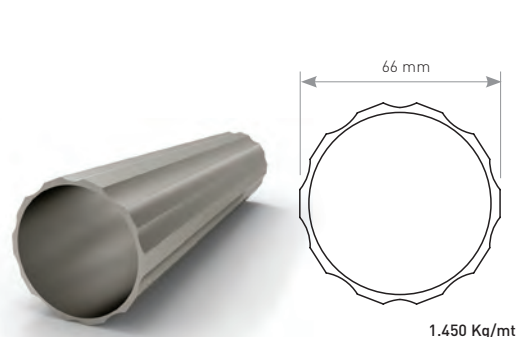


0.340 Kg/mt

PR-5232

17x17 Safety Bar
Listwa zabezpieczająca 17x17

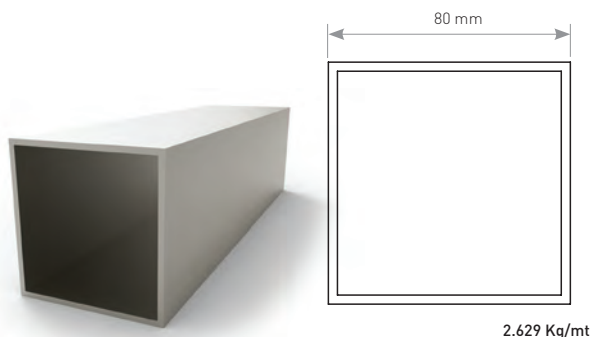
DECORATIVE PROFILES / PROFILE DEKORACYJNE



1.450 Kg/mt

PR-7000

70Ø Decorative Post Profile
Profil dekoracyjny słupka 70Ø



2.629 Kg/mt

PR-1862

80x80 Post Profile
Profil słupka 80x80





INSTALLATION TOOLS / ELEMENTY MONTAŻOWE



AK-5027

Marble & Stone Adhesive
Klej do marmuru i kamienia



ETA Certified
ETA Sertifikat



AK-5027K

BTS Chemical Anchor
Kotwa chemiczna BTS



AK-5027B

Adhesive Pistol
Pistolet do kleju



AK-5027C

Drilling Core
Rdzeń wiertniczy



AK-5027D

Adhesive for Aluminium
Klej do aluminium



AK-5076

Glass Suction Lifter
Podnośnik szkła



AK-5077

Silicon
Silikon



AK-5078

Cleaning Spray for
Aluminium Surface
Spray czyszczący do powierzchni
aluminiumowych



AK-5079

Cutting machine
Maszyna do cięcia

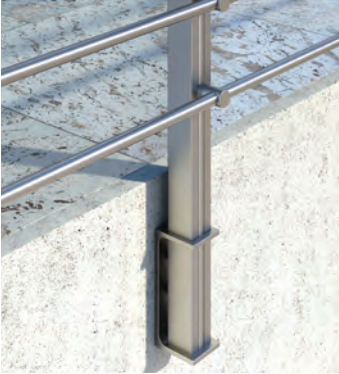
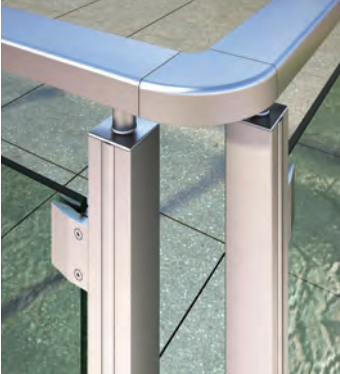


AK-5079T

Saw
Piła

SCREWS / WKRETY

	CODE / KOD	DESCRIPTION / OPIS	PACKAGE / OPAKOWANIE
	BTS-VT75100	7,5x100	1000 / Box-Pudełko
	BTS-VT75120	7,5x120	750 / Box-Pudełko
	BTS-VT75150	7,5x150	600 / Box-Pudełko
	BTS-VP4219	4,2x19	1000 / Box-Pudełko
	BTS-VP4238	4,2x38	1000 / Box-Pudełko
	BTS-VP4838	4,8x38	500 / Box-Pudełko
	BTS-VP4825	4,8x25	1000 / Box-Pudełko
	BTS-VS4540	4,5x40	200 / Box-Pudełko
		DIN 9100 TAPPING SCREW - PLASTIC PLUG DIN 9100 WKREŃT - PLASTIKOWY KOŁĘK	





**O
R
D
E
R

Y
O
U
R

S
A
M
P
L
E
S**



**ROUND SYSTEM
RL10**



**ROUND SYSTEM
RL11**



**COMBI SYSTEM
CL10**



**COMBI SYSTEM
CL11**



**SQUARE SYSTEM
SL10**



**ROUND SYSTEM
SL11**



**SQUARE SYSTEM
SL14**



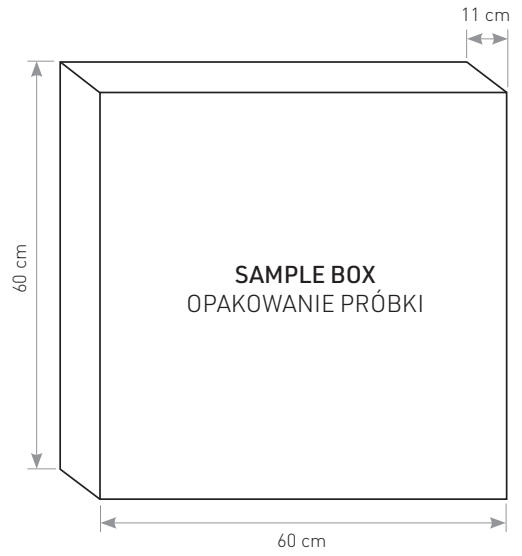
**SQUARE SYSTEM
SL15**



ROUND SYSTEM
RL12



ROUND SYSTEM
RL15



COMBI SYSTEM
CL12



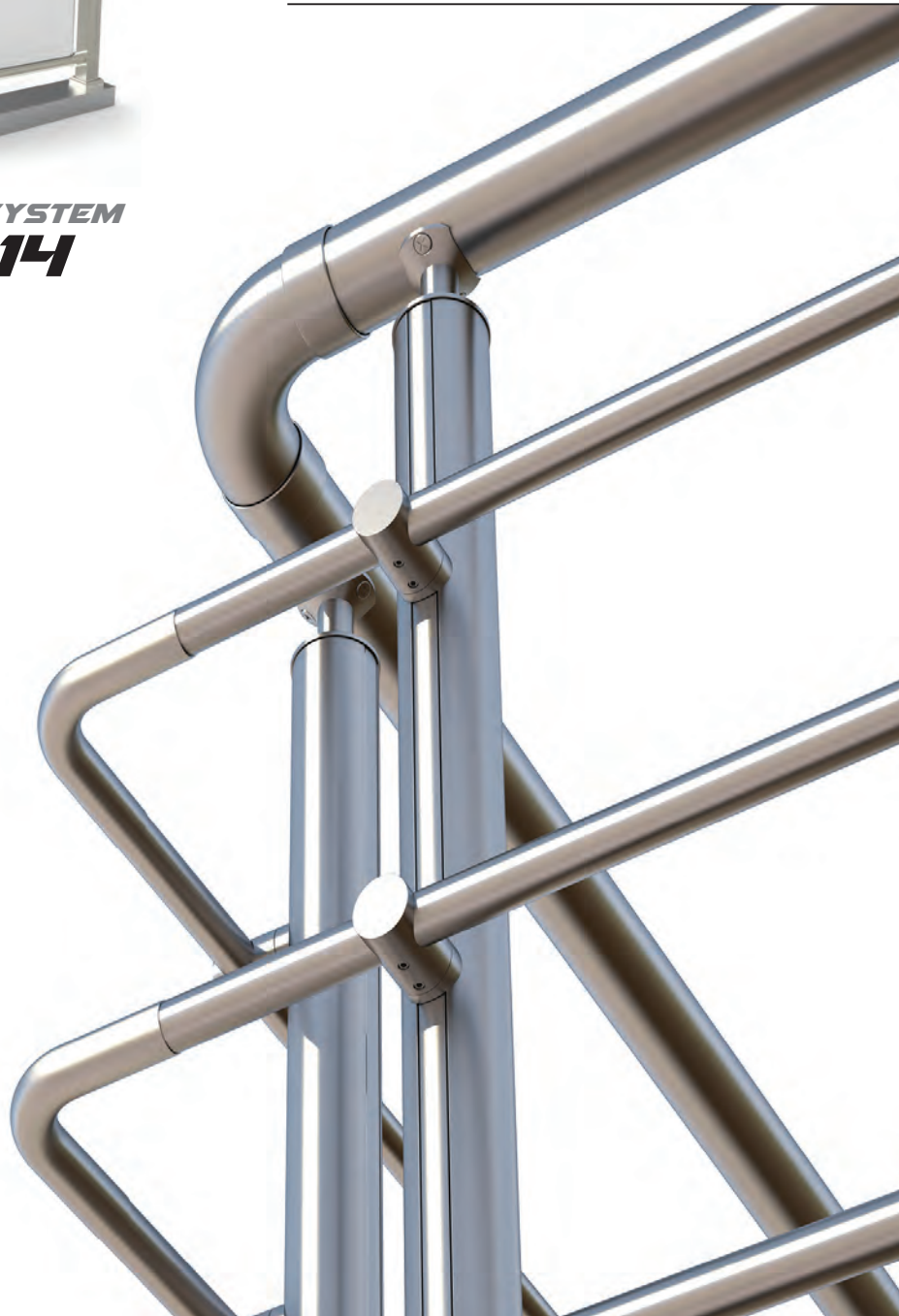
COMBI SYSTEM
CL14



SQUARE SYSTEM
SL12



SQUARE SYSTEM
SL16

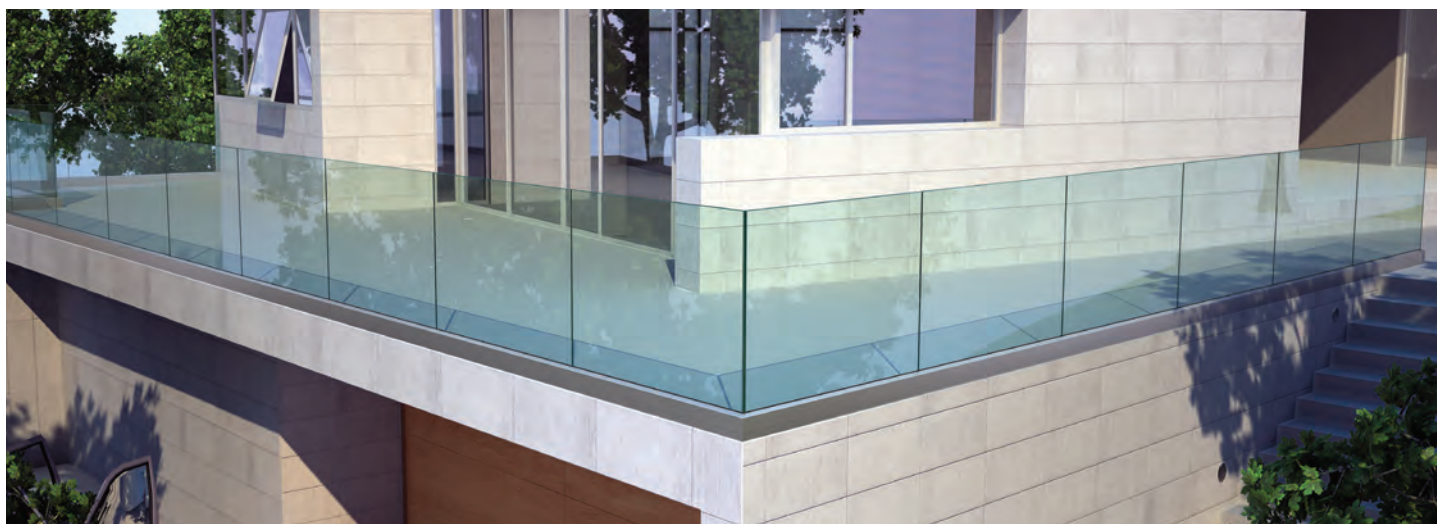
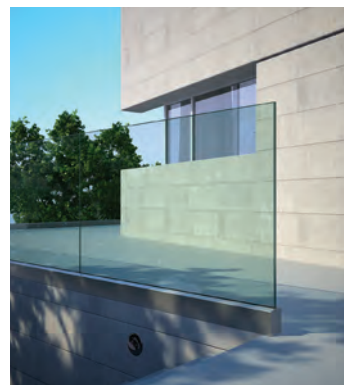




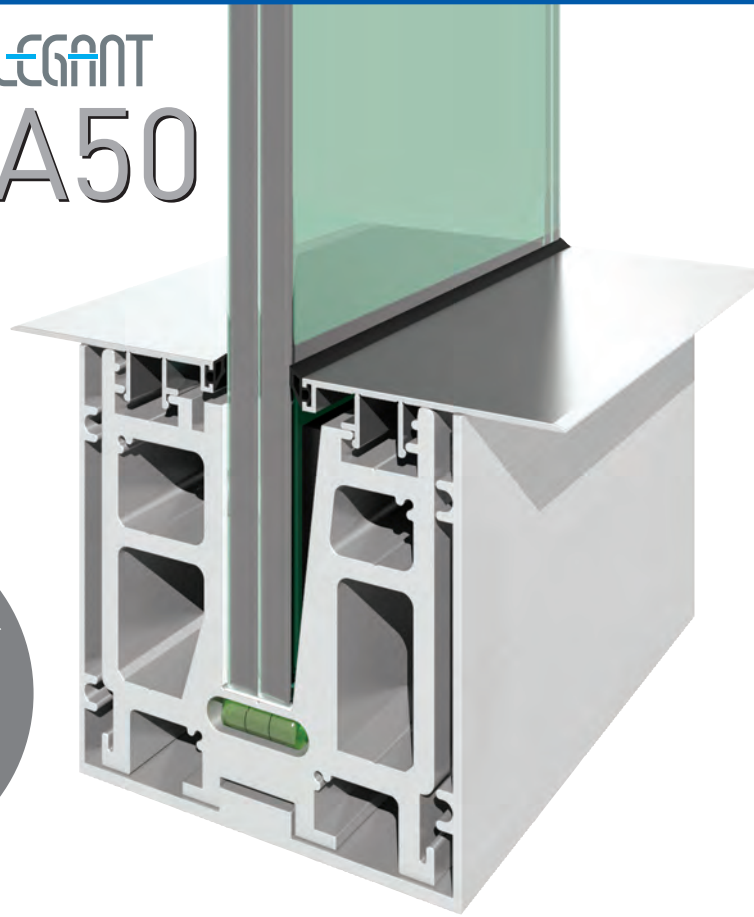
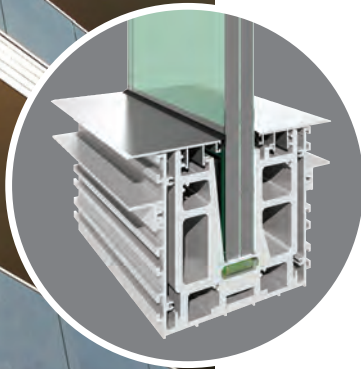
ELEGANT C50



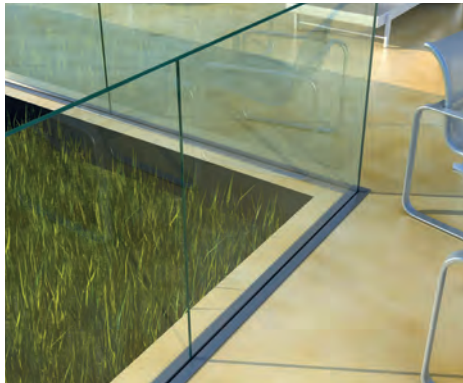
Odwiedź naszą stronę internetową i pobierz katalog BTS Elegant Railing
→ www.btssystem.eu



ELEGANT CA50

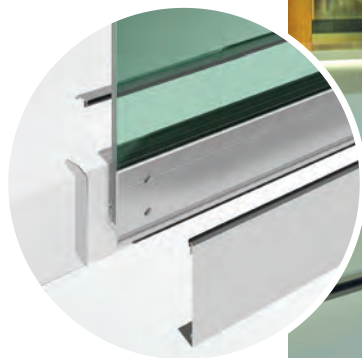


Visit our webpage and download
Elegant Series Catalogue
→ www.btssystem.eu





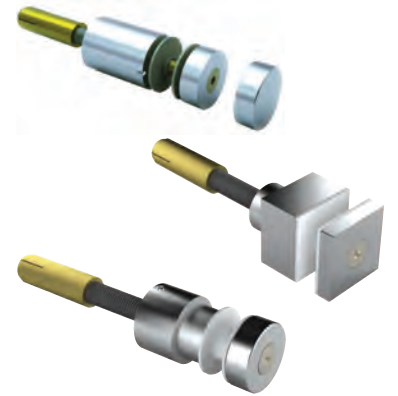
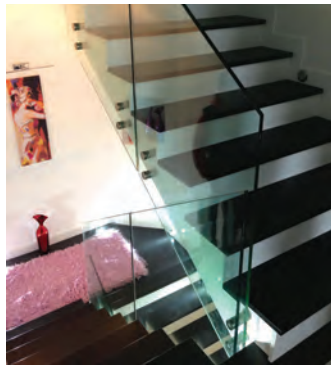
ELEGANT FX50



Odwiedź naszą stronę internetową
i pobierz katalog BTS Elegant Railing
→ www.btssystem.eu

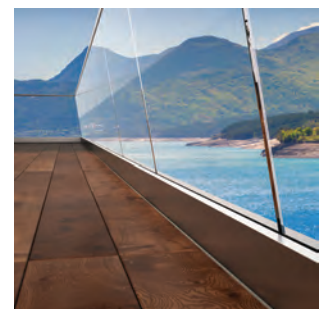


ELEGANT AL50



ELEGANT RX50

Visit our webpage and download
Elegant Series Catalogue
→ www.btssystem.eu





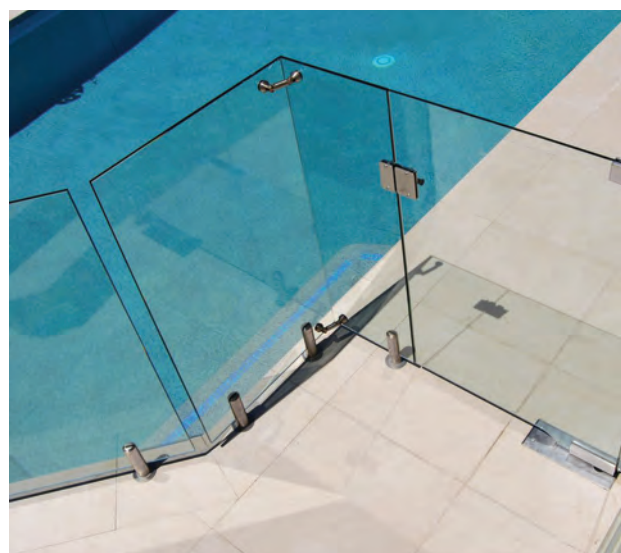
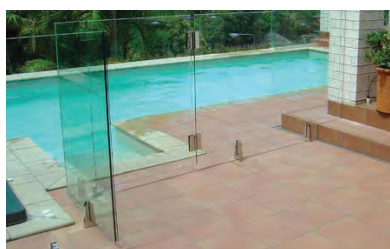
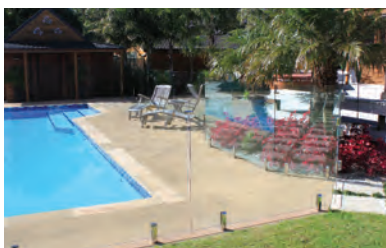
ELEGANT Vista300



V300



V320



The standards stay same, but innovation never ends...



BTS ALUMINIUM

www.btssystem.eu



BTS Aluminium
BTS System Sp. z o.o.



■ **Siedziba spółki:**
ul. Chojnowska 96
59-220 Legnica
woj. dolnośląskie

Dane identyfikacyjne:
NIP: 7010555915
Regon: 363883107
KRS: 0000605651

Telefon:
+48 76 850 22 12

E-mail:
office@btssystem.eu

■ www.btssystem.eu

